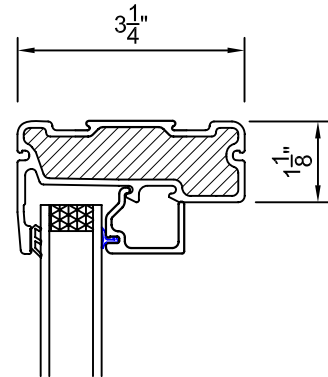


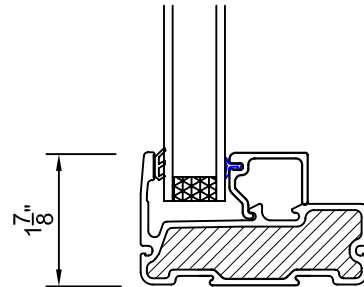
FIXED WINDOW

Exterior View

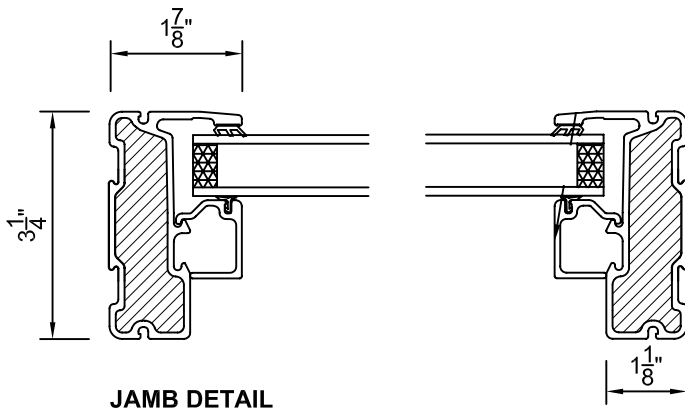
HEAD DETAIL



SILL DETAIL

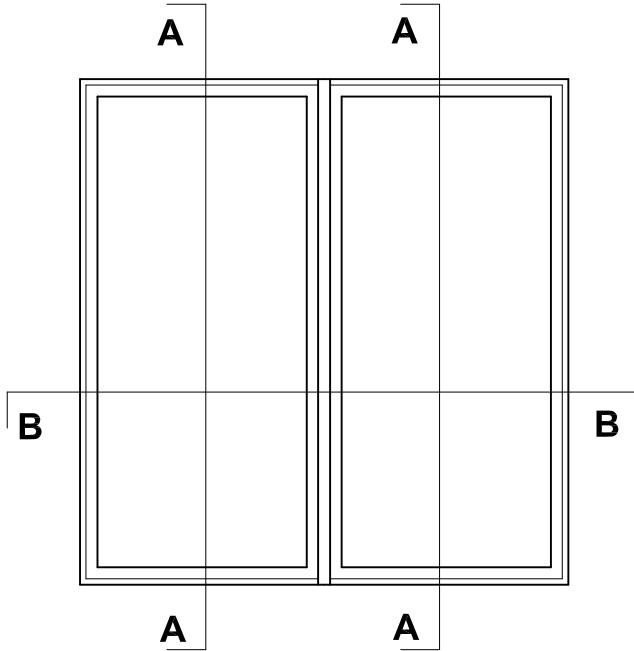


SECTION A-A

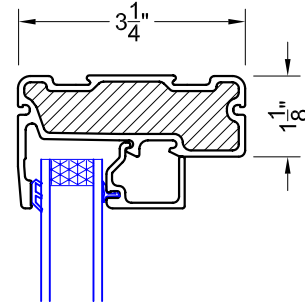


JAMB DETAIL

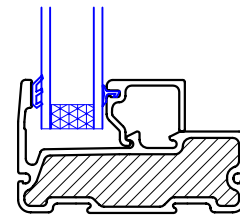
SECTION B-B



HEAD DETAIL



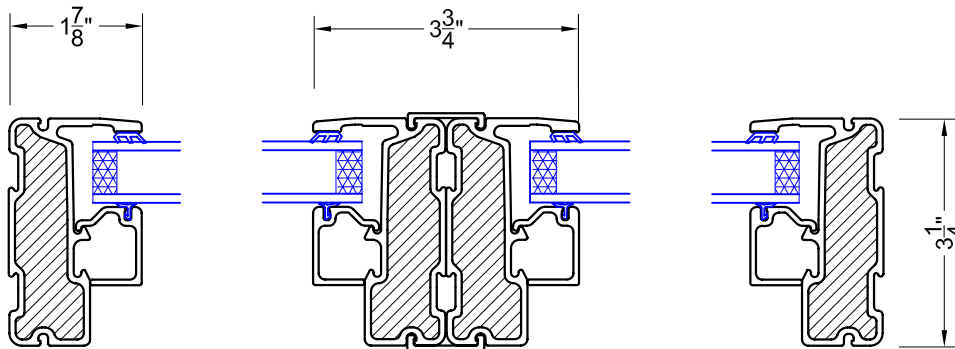
SILL DETAIL



SECTION A-A

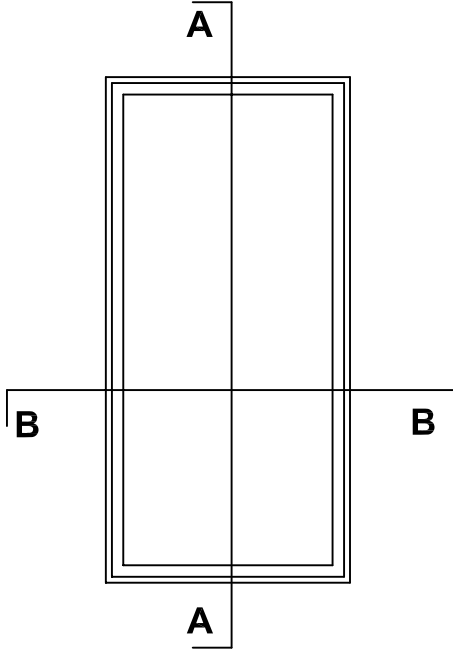
FIXED WINDOWS

Exterior View



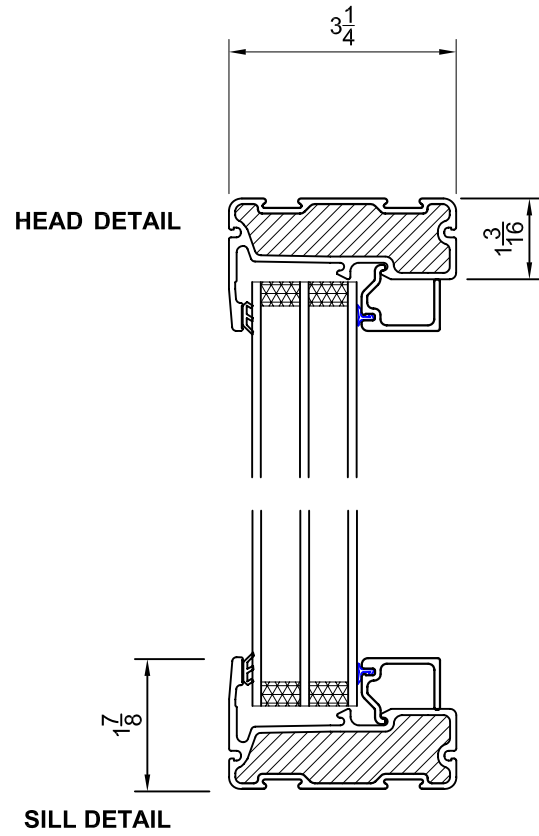
JAMB DETAIL

SECTION B-B

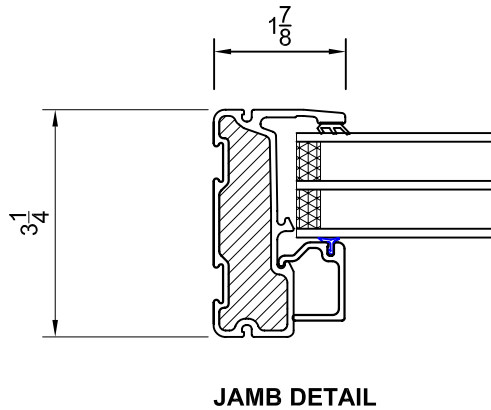


FIXED WINDOW

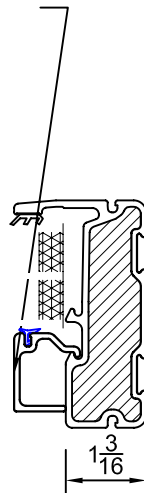
Exterior View



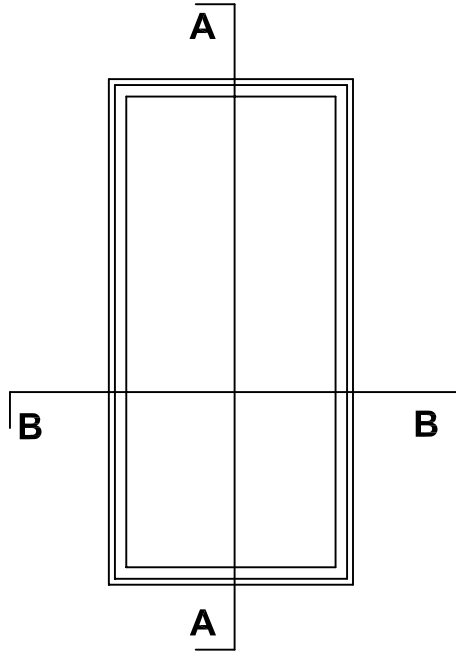
SECTION A-A



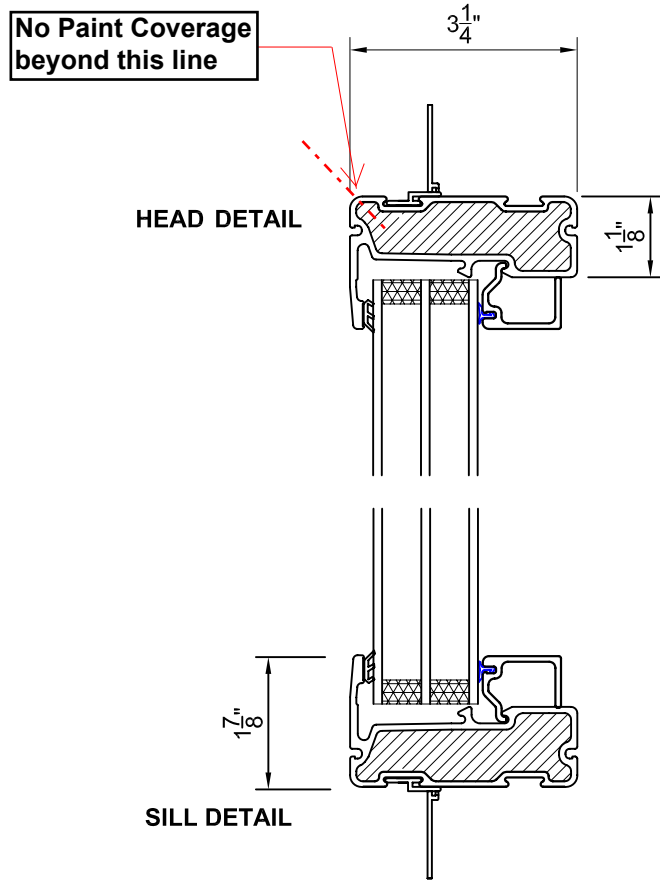
JAMB DETAIL



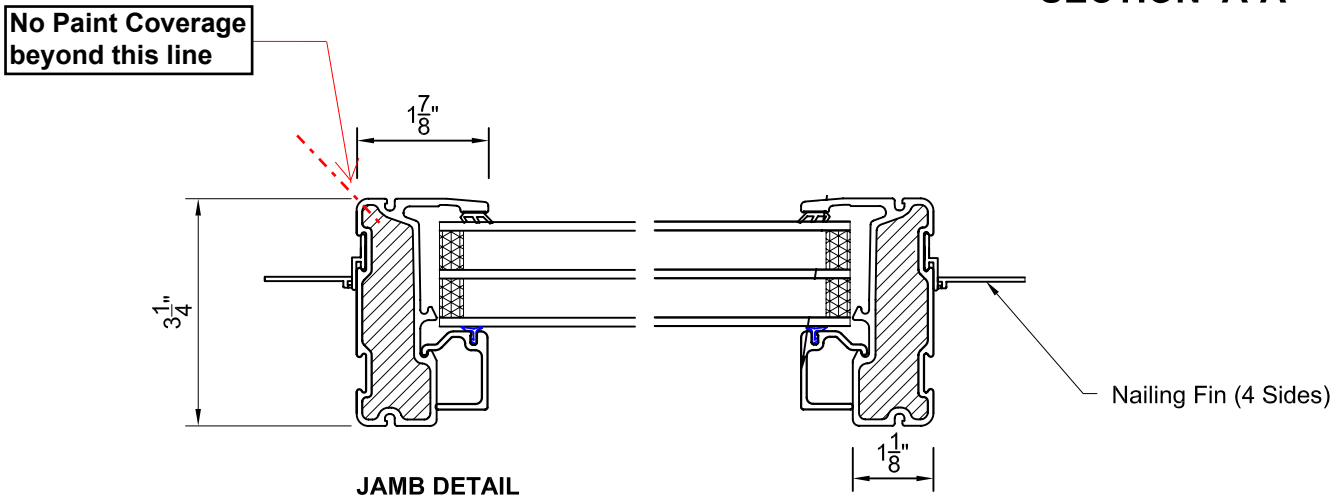
SECTION B-B



FIXED WINDOW
Front View



SECTION A-A



SECTION B-B