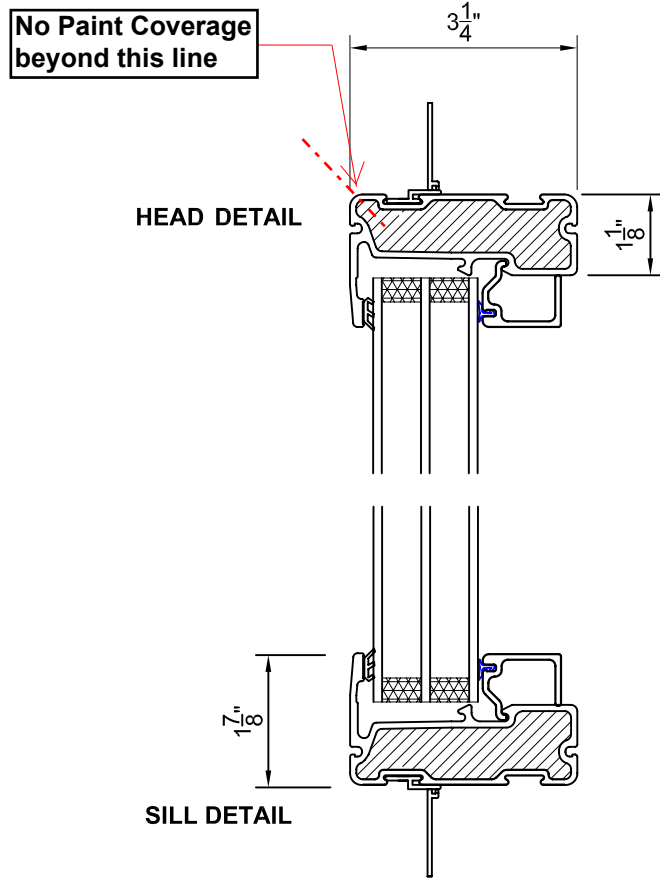
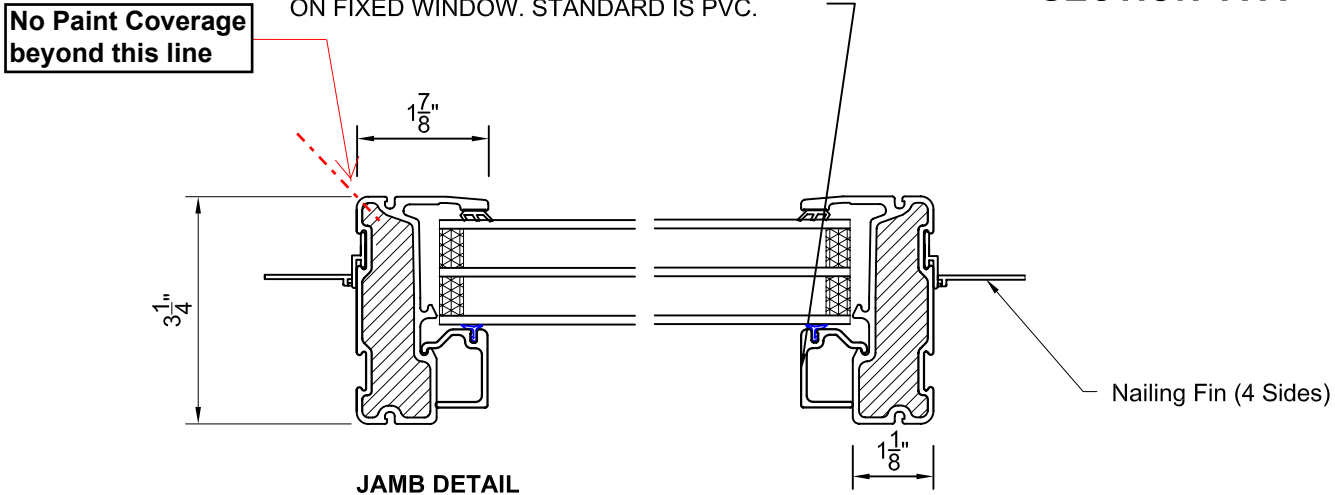


FIXED WINDOW
Front View



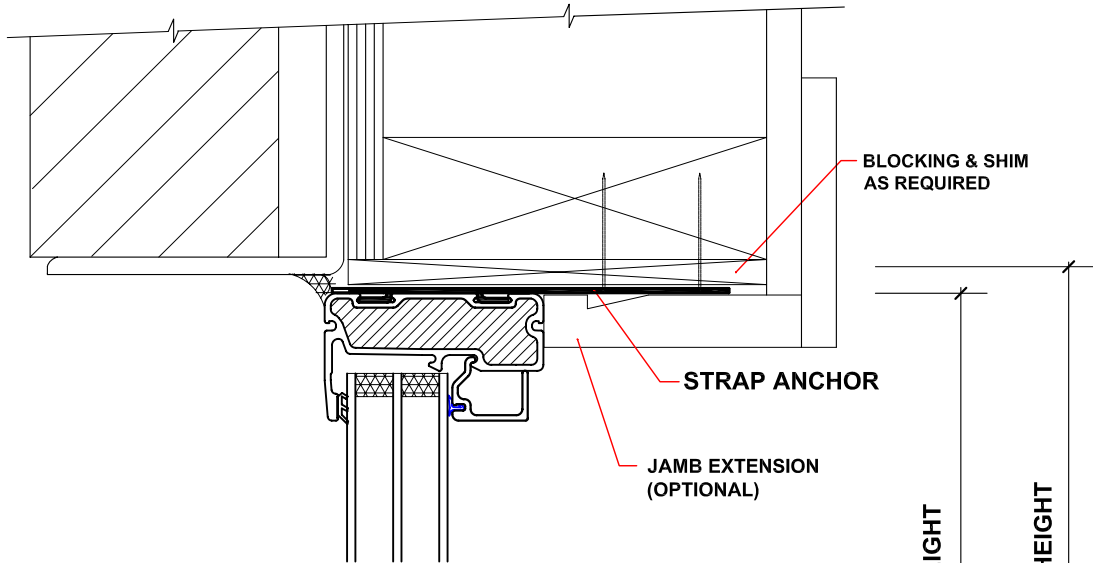
SECTION A-A

NOTE: OPTIONAL FIBERGLASS GLASS STOP SHOWN ON FIXED WINDOW. STANDARD IS PVC.

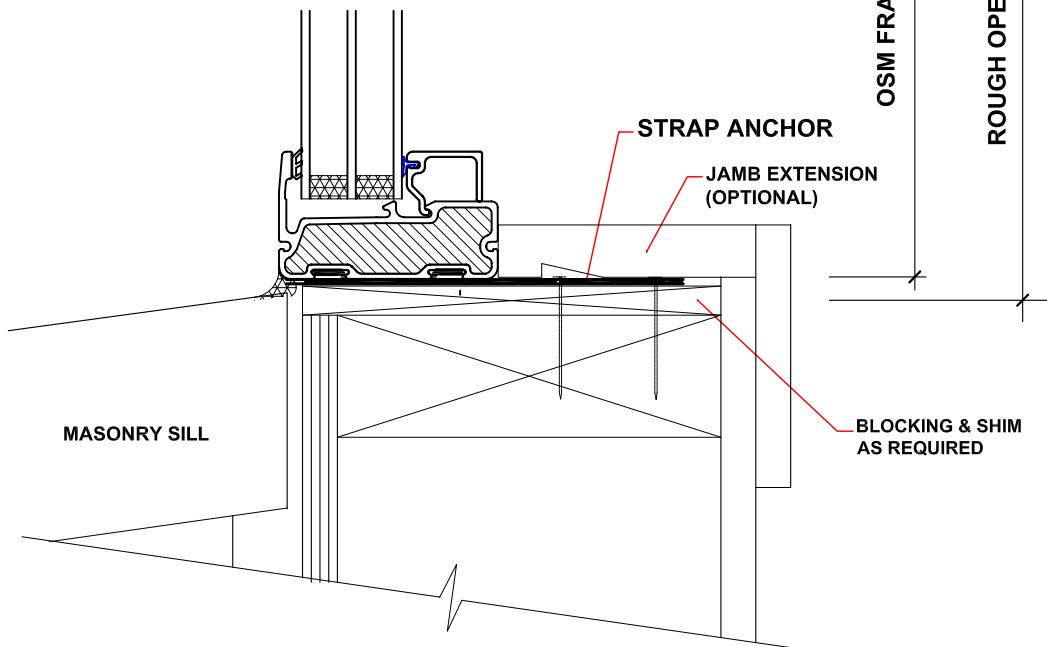


SECTION B-B

**HEAD
DETAIL**



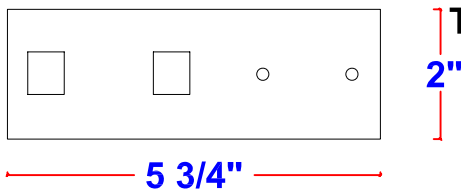
**SILL
DETAIL**



MASONRY SILL

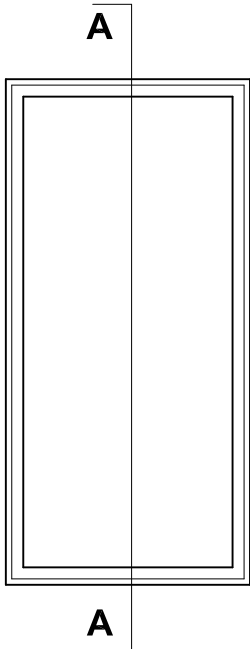
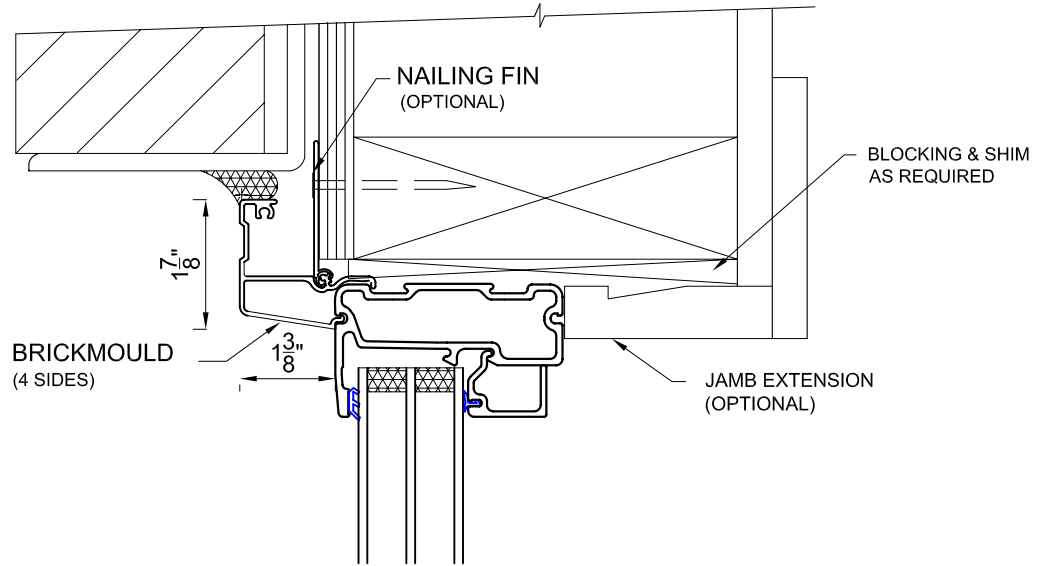


**VERTICAL SECTION
THRO' CASEMENT**



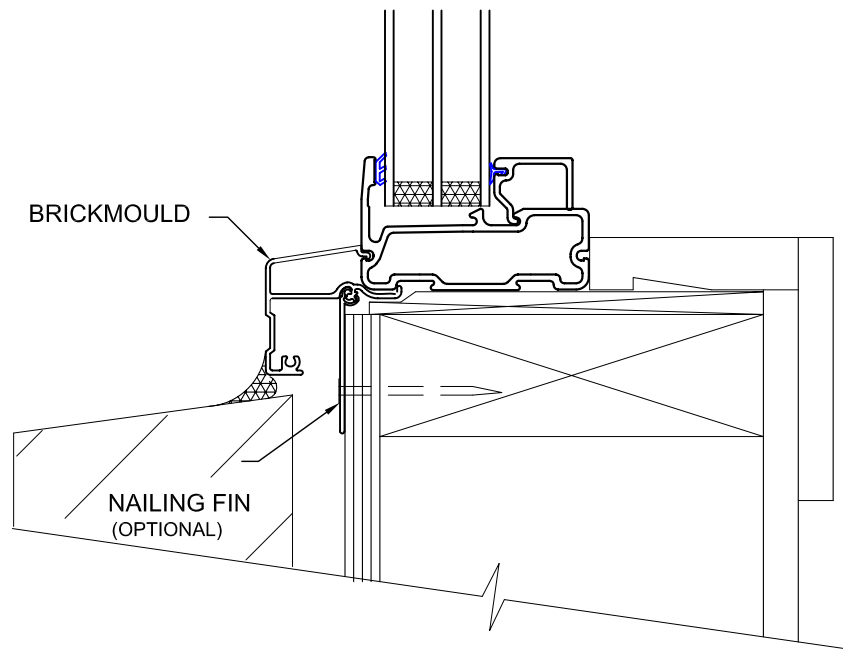
PLAN - STRAP ANCHOR

HEAD
DETAIL

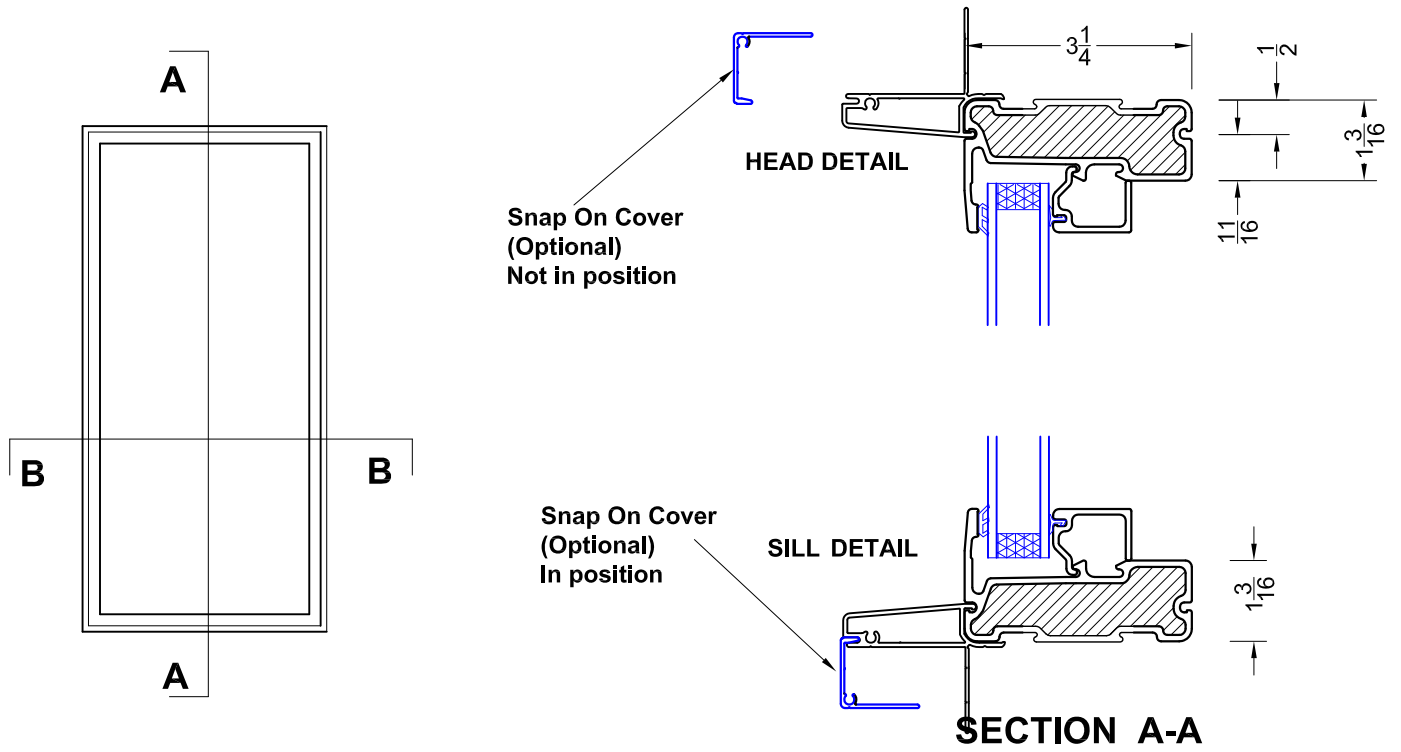


FIXED WINDOW
Exterior View

SILL
DETAIL

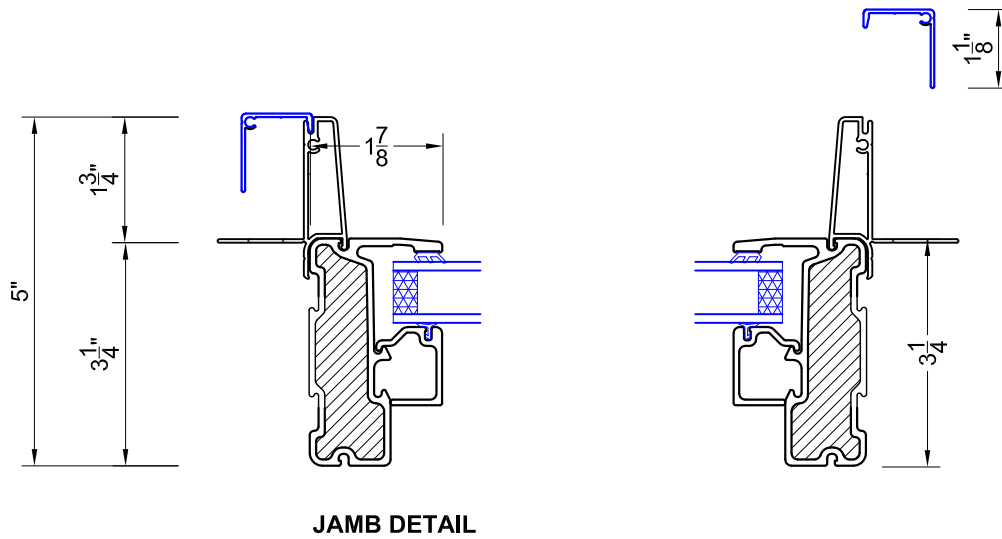


SECTION A-A

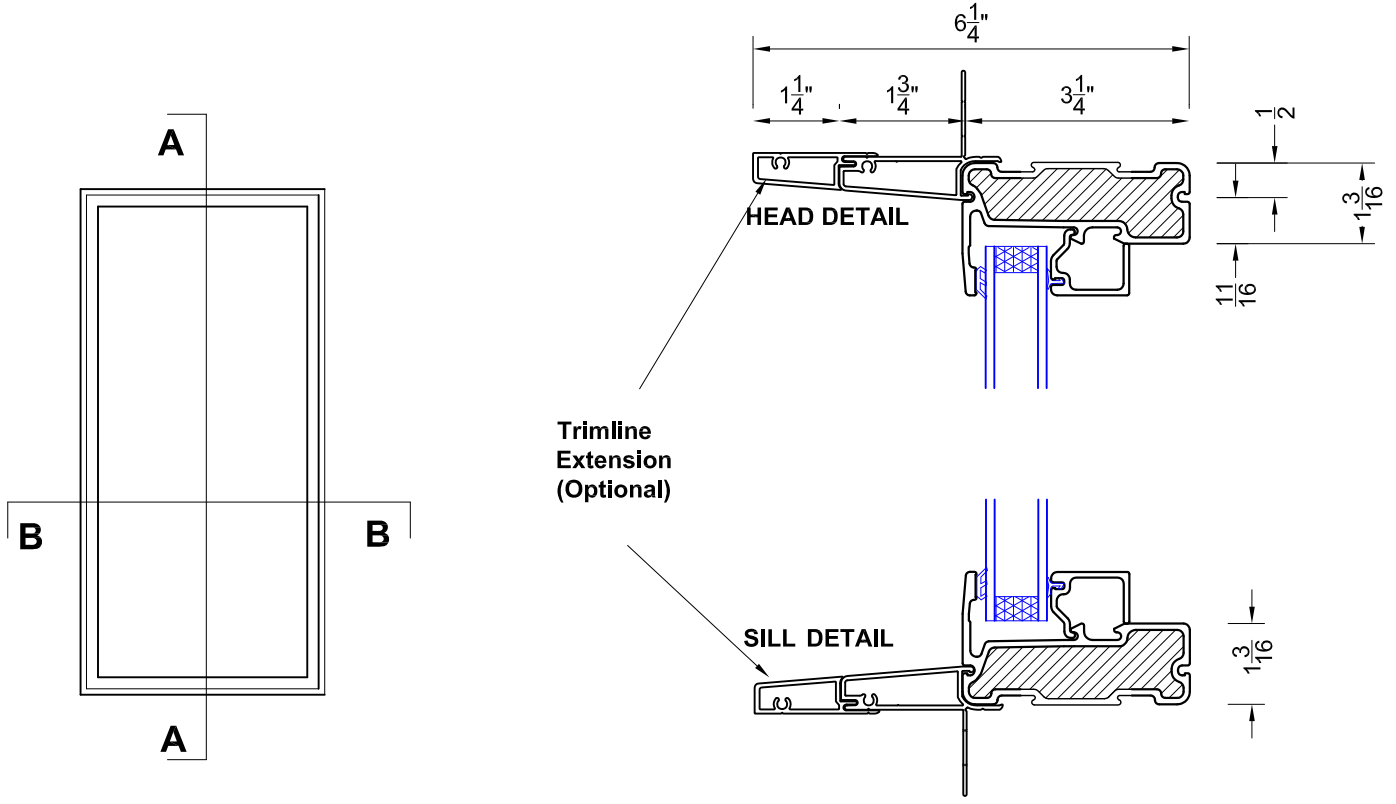


FIXED WINDOWS

Exterior View



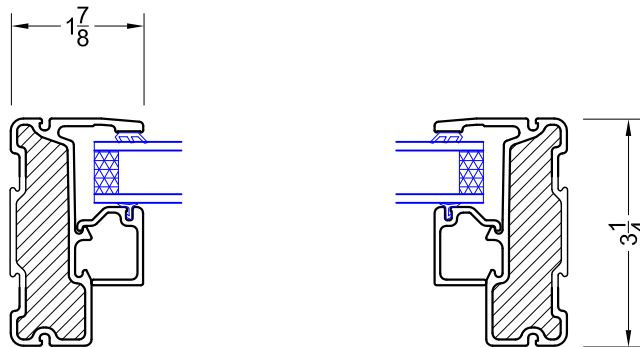
SECTION B-B



FIXED WINDOWS

Exterior View

SECTION A-A



JAMB DETAIL

SECTION B-B