

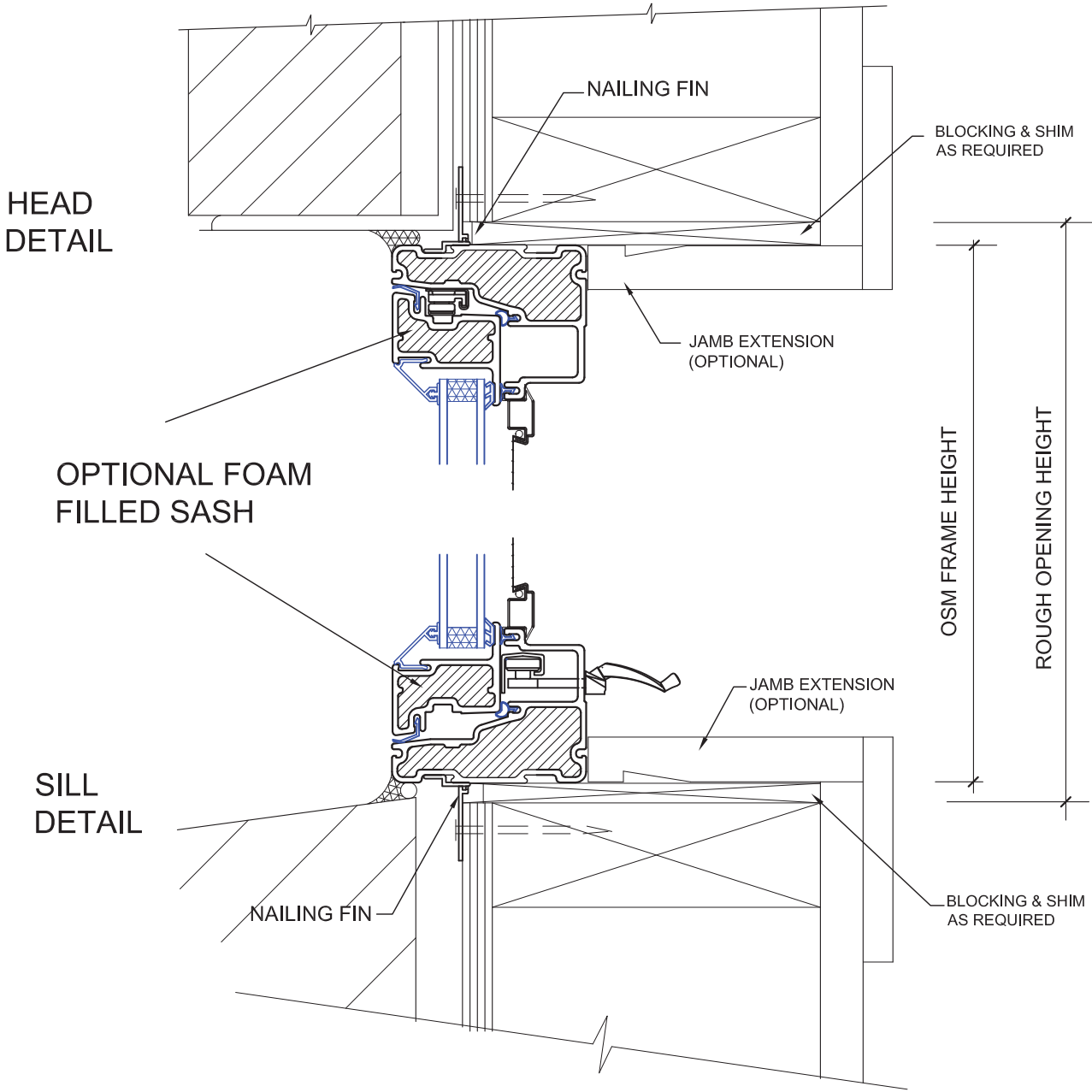
FIBERTEC™

Window & Door Mfg.

FIBERGLASS WINDOW SYSTEMS

300 SERIES

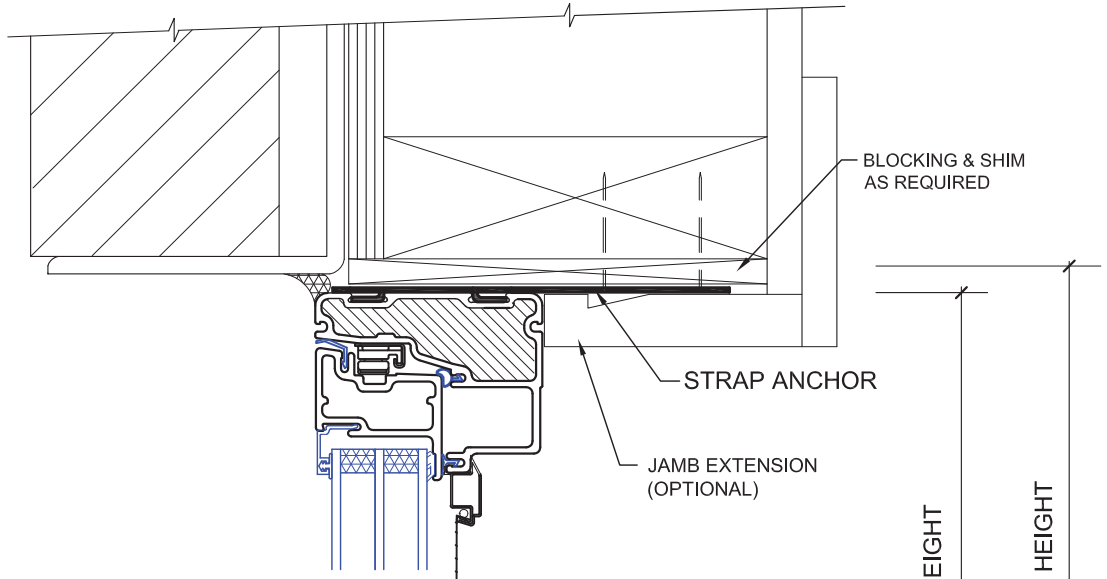
ATTACHMENT OPTIONS:- NAILING FIN



**VERTICAL SECTION
THRO' CASEMENT**

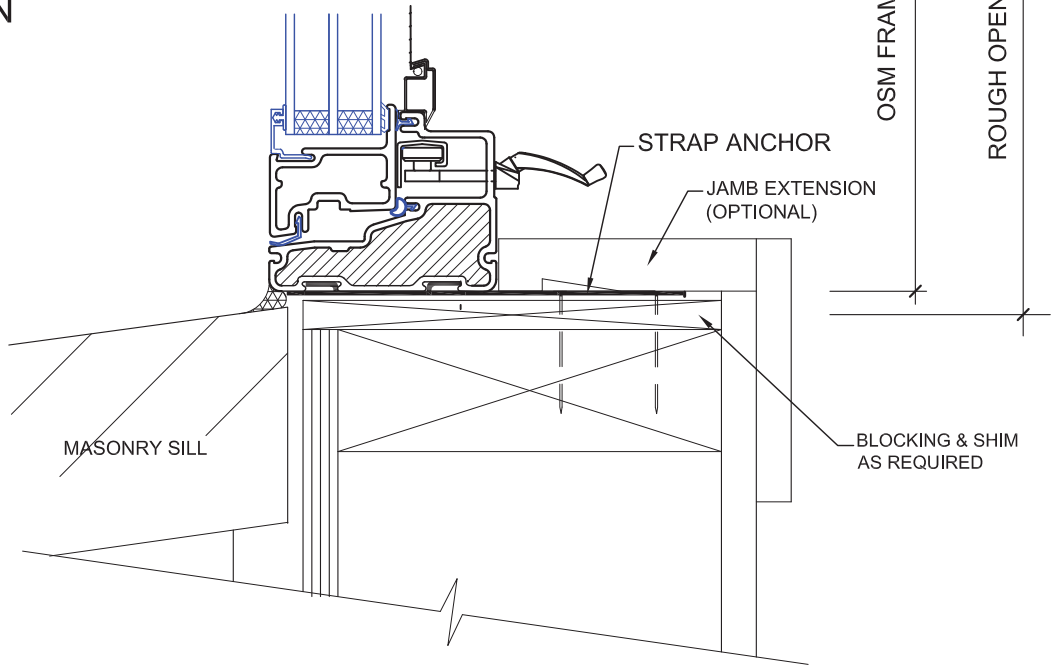
NOTE:
USE LOW EXPANSION
FOAM TO INSULATE GAP
BETWEEN ROUGH
OPENING AND FRAME.

HEAD
 DETAIL

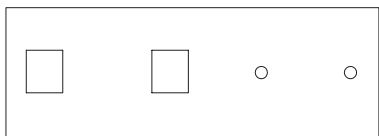


TYPICAL STRAP ANCHOR
 INSTALLATION

SILL
 DETAIL



**VERTICAL SECTION
 THRO' CASEMENT**



2.000"

5.750"

PLAN - STRAP ANCHOR

FIBERTEC™

Window & Door Mfg.

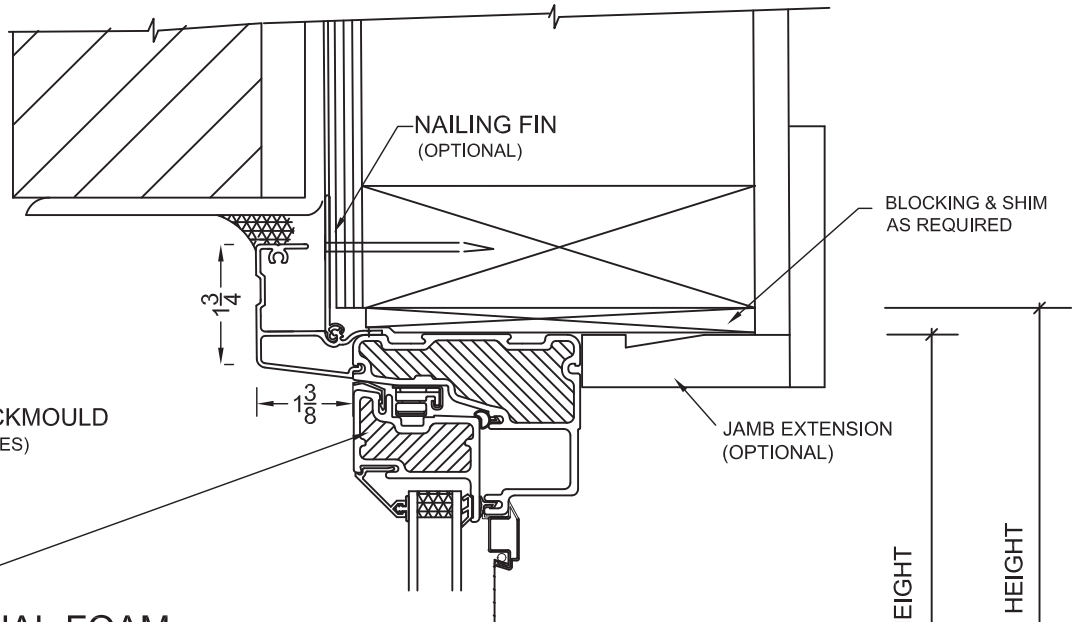
FIBERGLASS WINDOW SYSTEMS

300 SERIES

ATTACHMENT OPTIONS:-

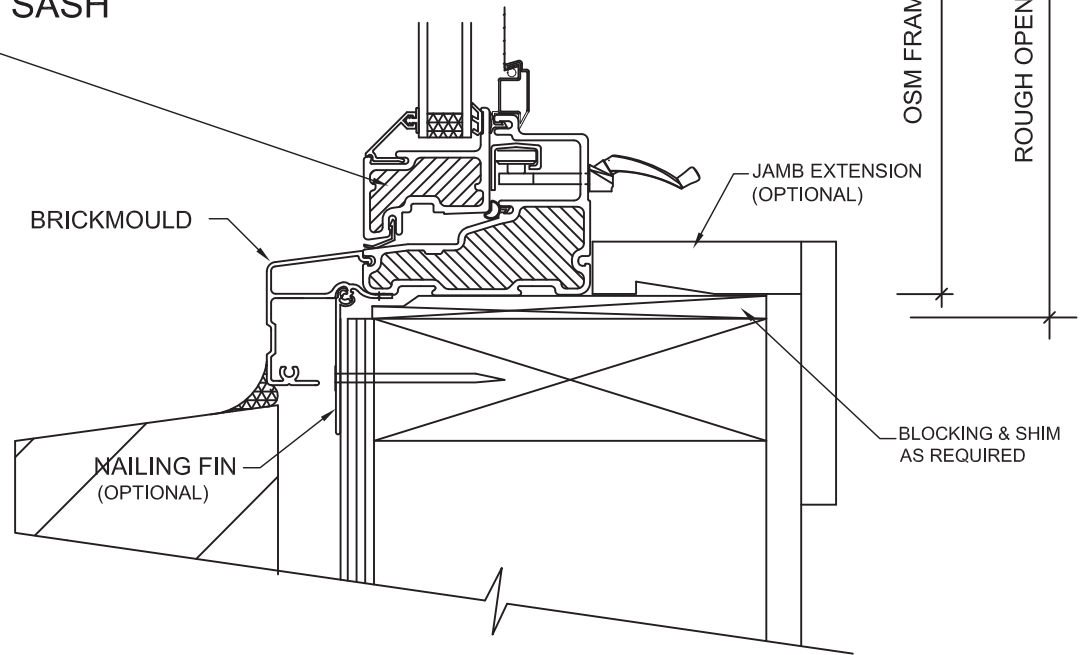
BRICKMOULD WITH NAILING FIN

HEAD
DETAIL



OPTIONAL FOAM
FILLES SASH

SILL
DETAIL



**VERTICAL SECTION
THRO' CASEMENT**

FIBERTEC™

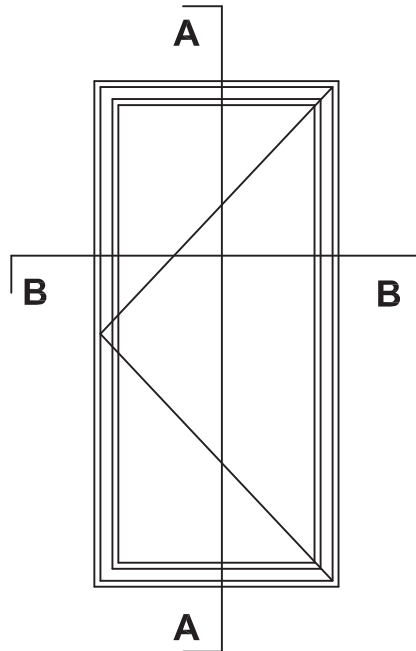
Window & Door Mfg.

FIBERGLASS WINDOW SYSTEMS

300 SERIES

CASEMENT WINDOW

With Trimline Brickmould



CASEMENT WINDOW

EXTERIOR VIEW
CLOSED BACK FRAME

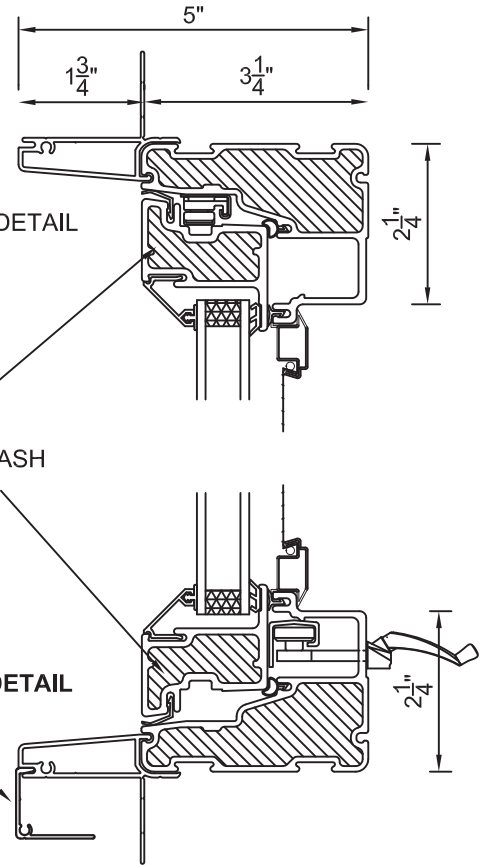
Snap On Cover
(Optional)
NOT In position

HEAD DETAIL

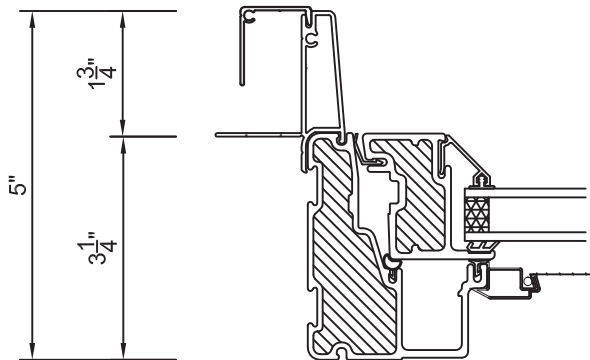
FOAM
FILLED SASH

Snap On Cover
(Optional)
In position

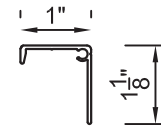
SILL DETAIL



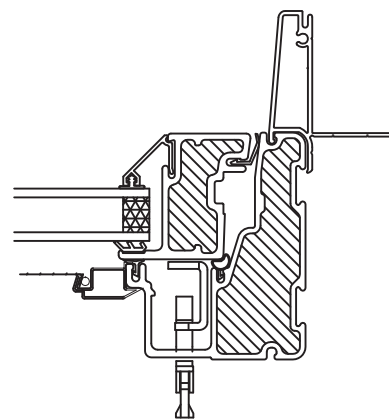
SECTION A-A



JAMB DETAIL



SECTION B-B



FIBERTEC™

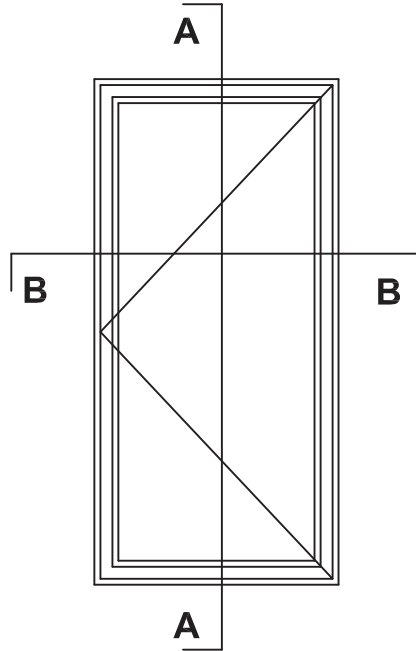
Window & Door Mfg.

FIBERGLASS WINDOW SYSTEMS

300 SERIES

CASEMENT WINDOW

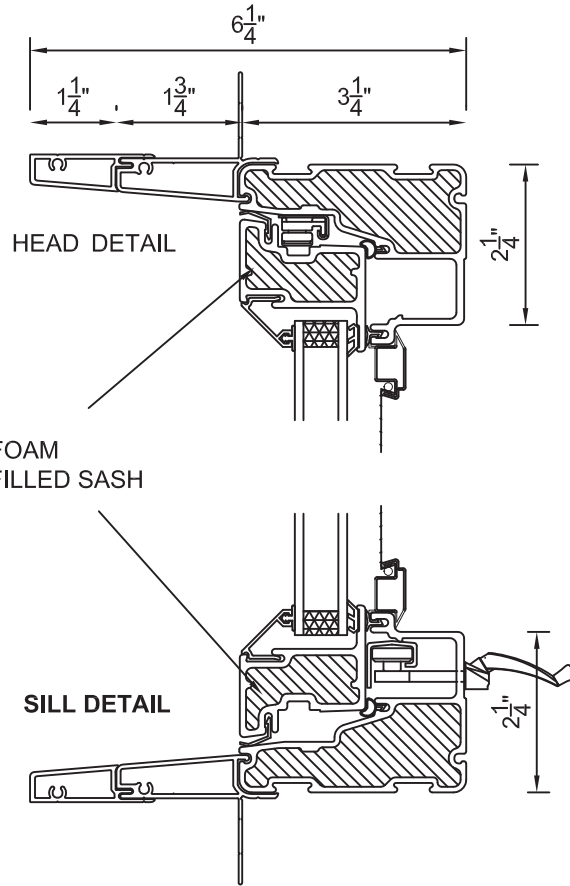
With Trimline Brickmould
and Trimline Extension



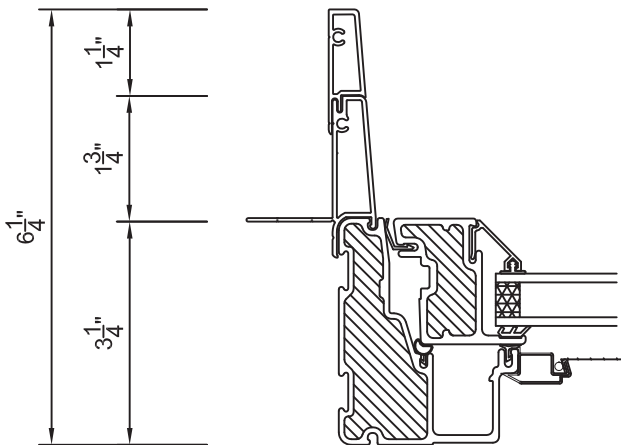
CASEMENT WINDOW

EXTERIOR VIEW

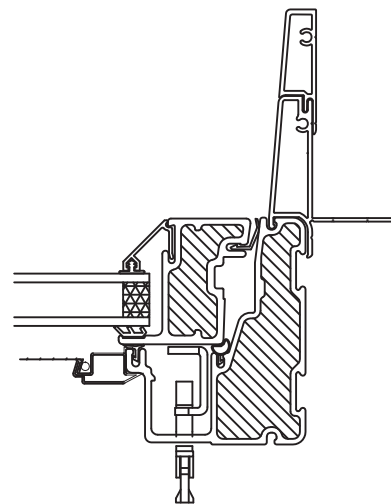
CLOSED BACK FRAME



SECTION A-A



JAMB DETAIL



SECTION B-B