

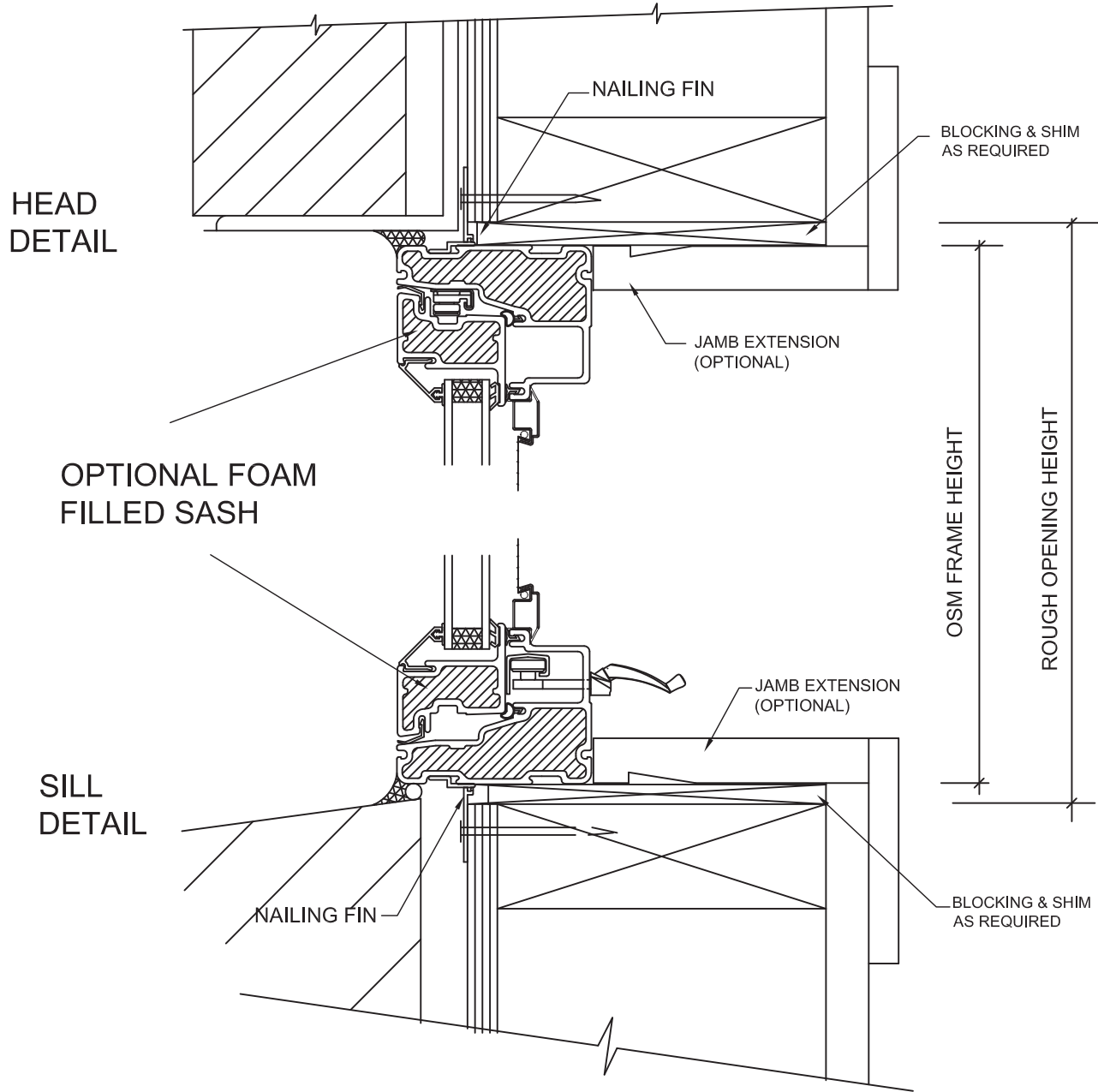
FIBERTEC™

Window & Door Mfg.

FIBERGLASS WINDOW SYSTEMS

300 SERIES

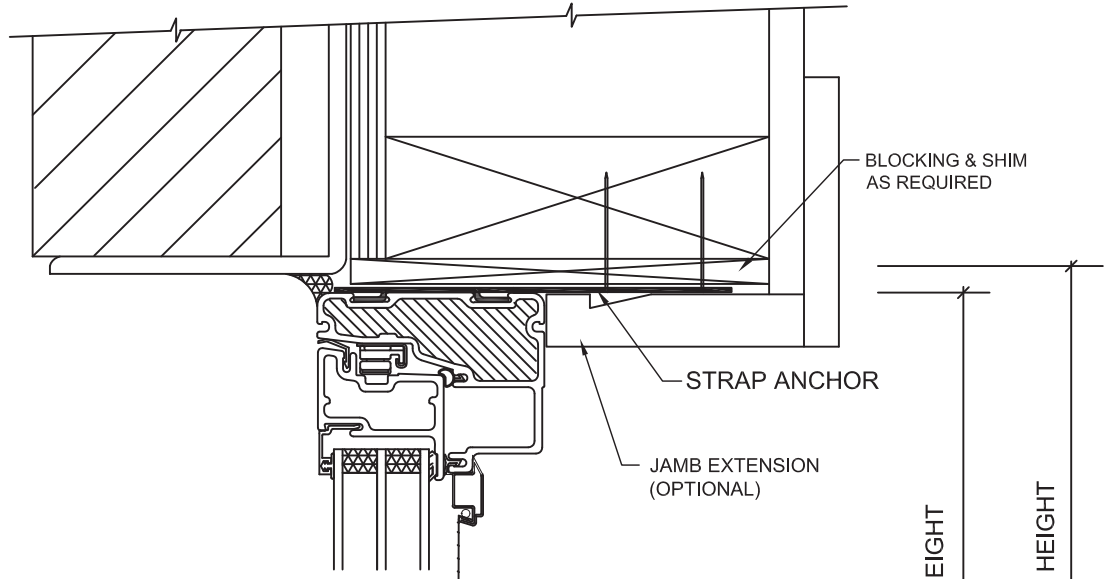
ATTACHMENT OPTIONS:-
NAILING FIN



**VERTICAL SECTION
THRO' CASEMENT**

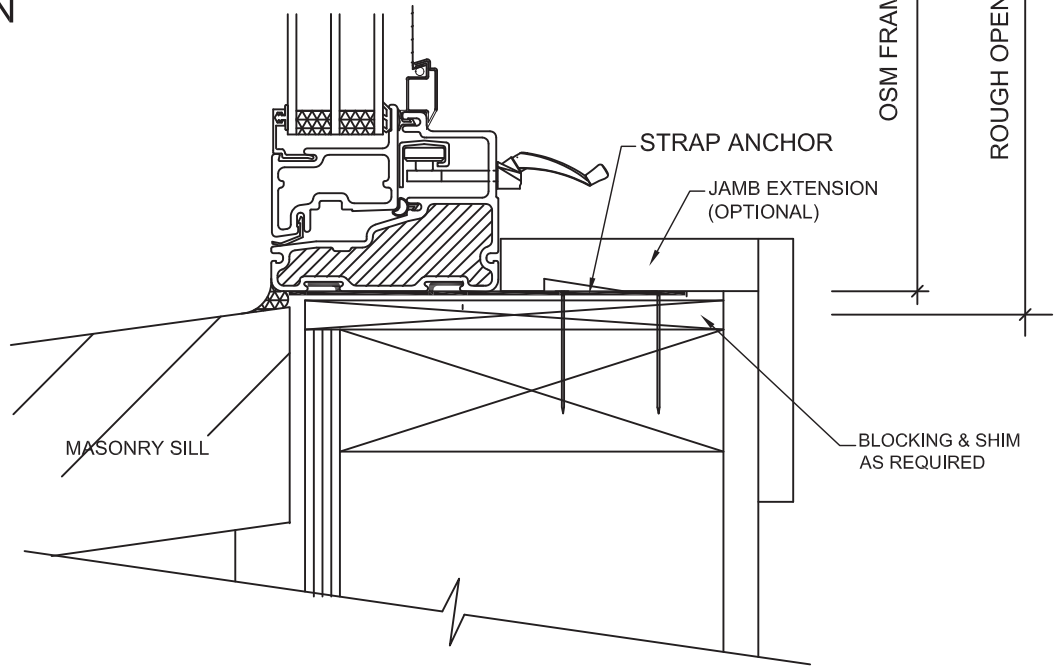
NOTE:
USE LOW EXPANSION
FOAM TO INSULATE GAP
BETWEEN ROUGH
OPENING AND FRAME.

HEAD
 DETAIL

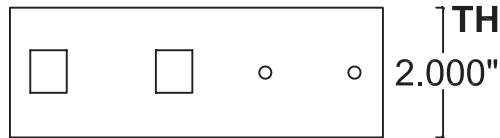


TYPICAL STRAP ANCHOR
 INSTALLATION

SILL
 DETAIL



**VERTICAL SECTION
 THRO' CASEMENT**



PLAN - STRAP ANCHOR

FIBERTEC™

Window & Door Mfg.

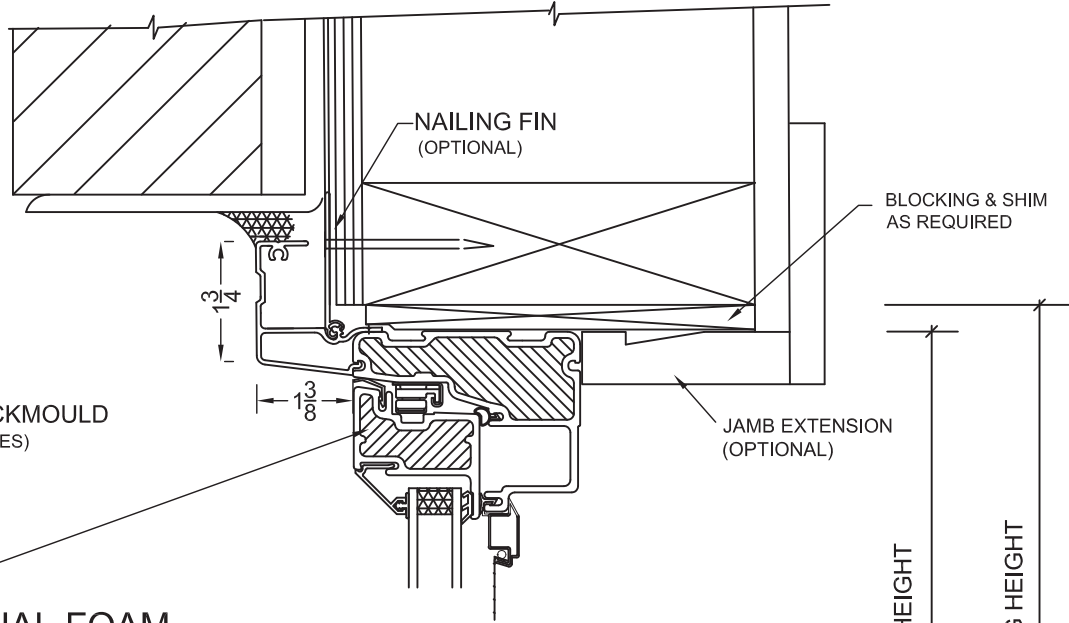
FIBERGLASS WINDOW SYSTEMS

300 SERIES

ATTACHMENT OPTIONS:-

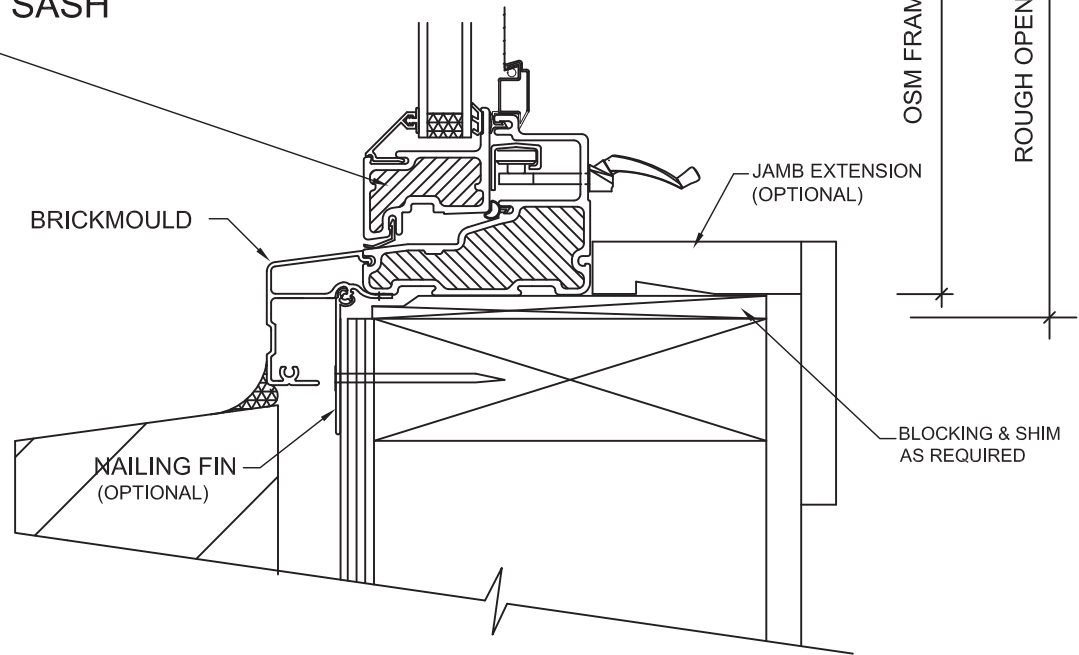
BRICKMOULD WITH NAILING FIN

HEAD
DETAIL



OPTIONAL FOAM
FILLES SASH

SILL
DETAIL



**VERTICAL SECTION
THRO' CASEMENT**

FIBERTEC™

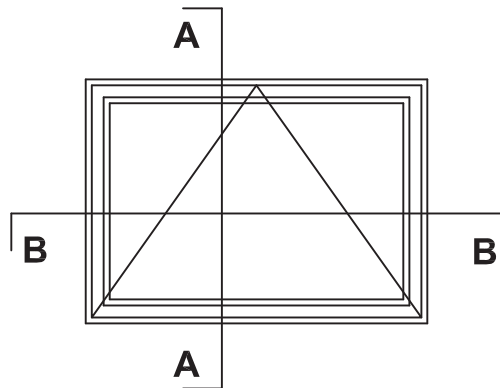
Window & Door Mfg.

FIBERGLASS WINDOW SYSTEMS

300 SERIES

AWNING WINDOW

With Trimline Brickmould



AWNING WINDOW

EXTERIOR VIEW
CLOSED BACK FRAME

Snap On Cover
(Optional)
NOT In position

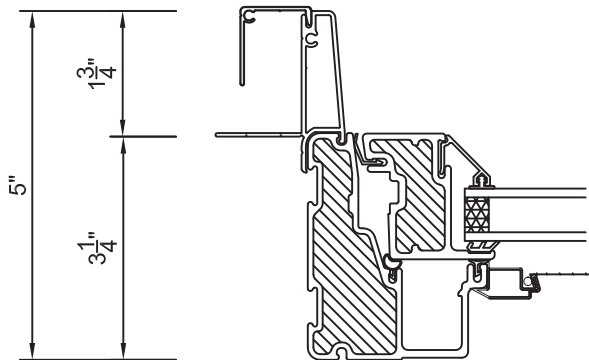
HEAD DETAIL

FOAM
FILLED SASH

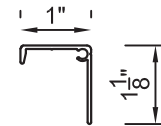
Snap On Cover
(Optional)
In position

SILL DETAIL

SECTION A-A



JAMB DETAIL



SECTION B-B

FIBERTEC™

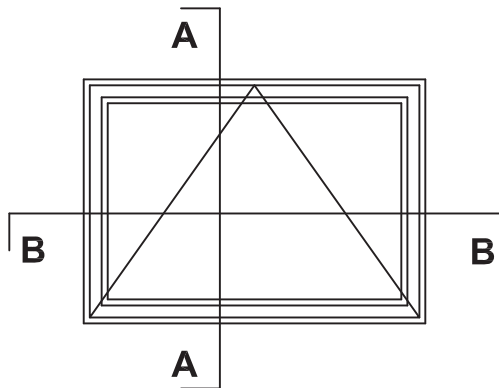
Window & Door Mfg.

FIBERGLASS WINDOW SYSTEMS

300 SERIES

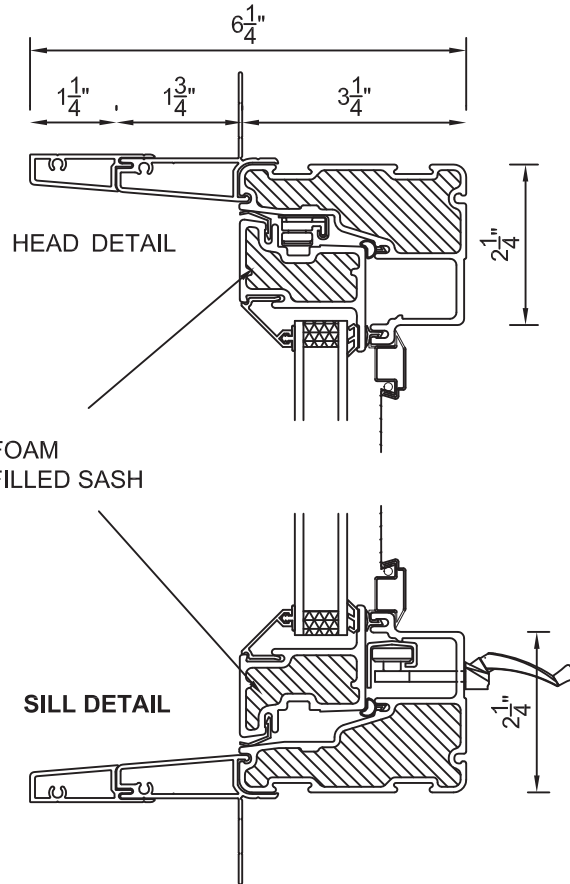
AWNING WINDOW

With Trimline Brickmould
and Trimline Extension

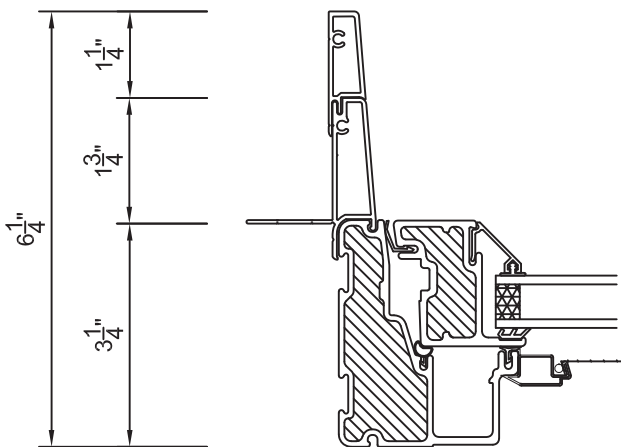


AWNING WINDOW

EXTERIOR VIEW
CLOSED BACK FRAME



SECTION A-A



JAMB DETAIL

SECTION B-B