

Fixed Windows

300 Series Product Specifications

Standard Series

3 1/4" Pultruded Fiberglass closed back frame completely filled with laser die cut Polystyrene, injection molded reinforced mitered corners with Polyurethane foam fill and sealed with silicone sealant.

Test Results

Products have been independently tested and rated by CSA A440, AAMA, and NFRC (see preceding section).

Portrait Series

Pultruded Fiberglass Frame laminated with real stainable oak veneer.

Paint Finish

Stock Colors are White in and out, White in and Commercial Brown (exterior), White in and Sandalwood (exterior), using Sequoia™ series V advanced acrylic polyurethane (water borne) baked on finish. Rated environmentally friendly due to low VOC. Custom colors are available.

NOTE: Paint finish does not wrap around to bottom edge of frame when using nail fin application. Refer to cross section drawing for nail fin.

Glazing Stop

High performance pultruded Fiberglass glass stop with Santoprene gasket to ensure snug fit to glazing.

Glazing tape is a closed cellular (foam) double adhesive backed tape.

Standard Glazing

Double glazing Fiberglass glass stop – 7/8" sealed unit with 5/8" air space.

Triple glazing– 1 9/16" sealed units.

Various other optional glazing is available, to suit any climate condition or esthetics.

Attachments

Brickmold (with or without nailing flange) three types, Jamb extensions, Strap Anchors, PVC nailing fin, are available for installation applications.

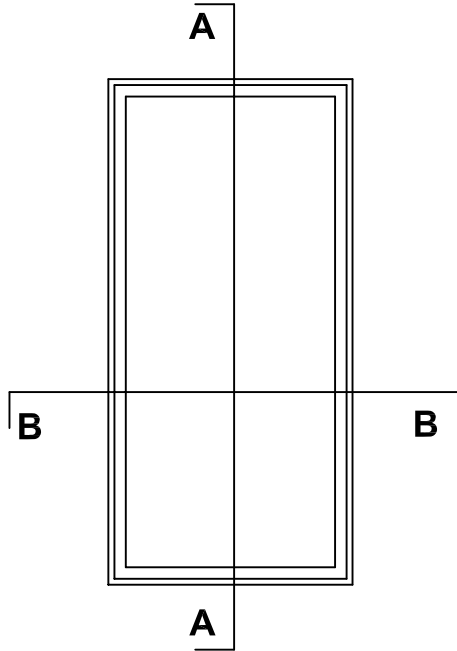
Sizes Available

Minimum width 12", Minimum height 12", Maximum width 84", Maximum height 84".

Fibertec manufacturers to sizes specified + / - 1/8" (3.17 mm) industry tolerance.

Egress Windows

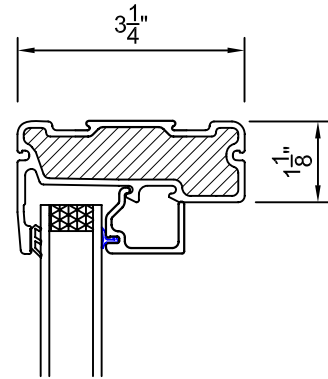
N/A for Fixed Windows.



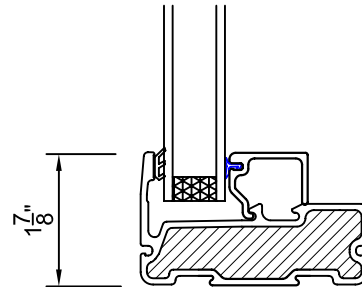
FIXED WINDOW

Exterior View

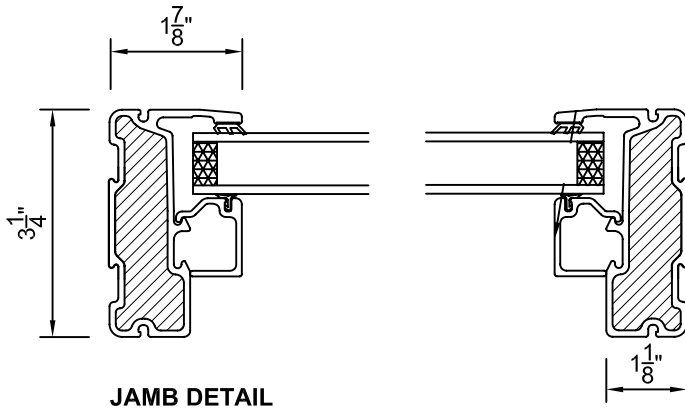
HEAD DETAIL



SILL DETAIL

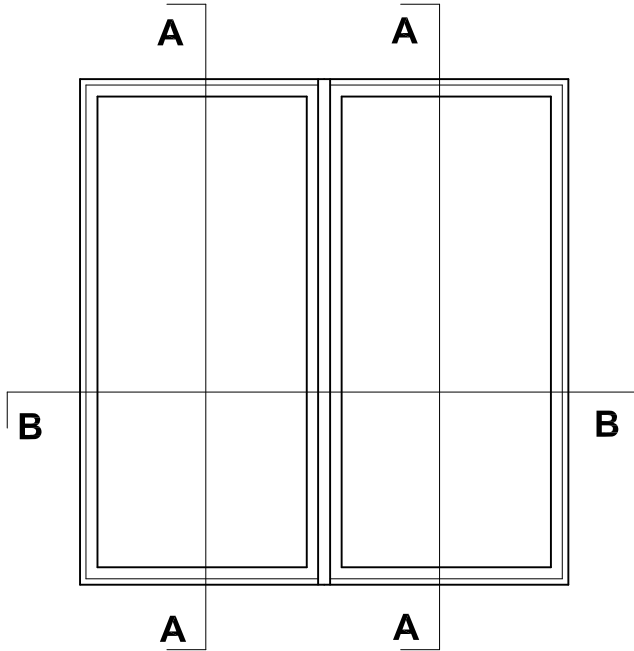


SECTION A-A

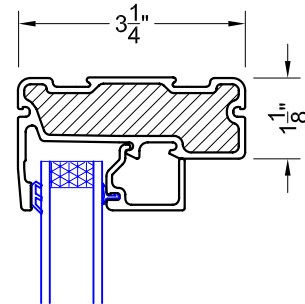


JAMB DETAIL

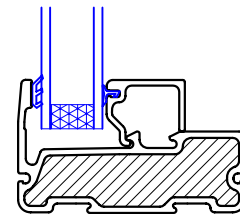
SECTION B-B



HEAD DETAIL



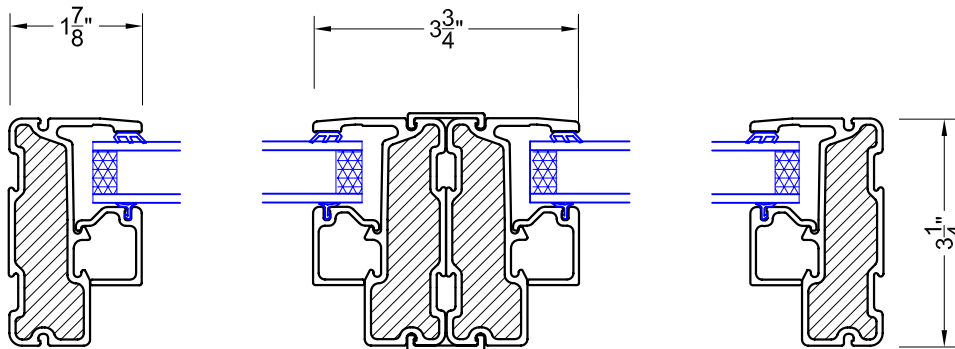
SILL DETAIL



SECTION A-A

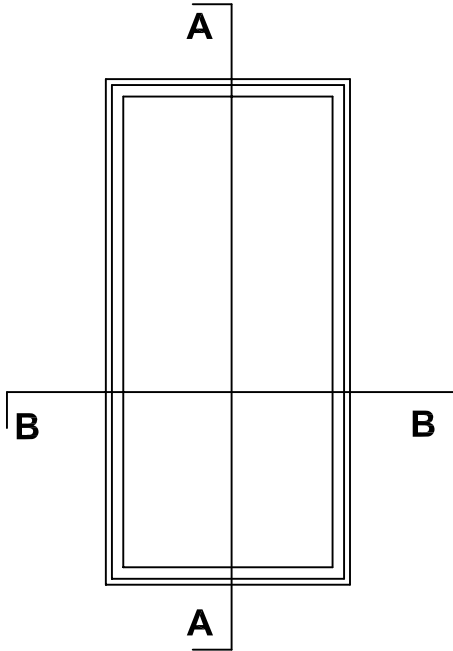
FIXED WINDOWS

Exterior View



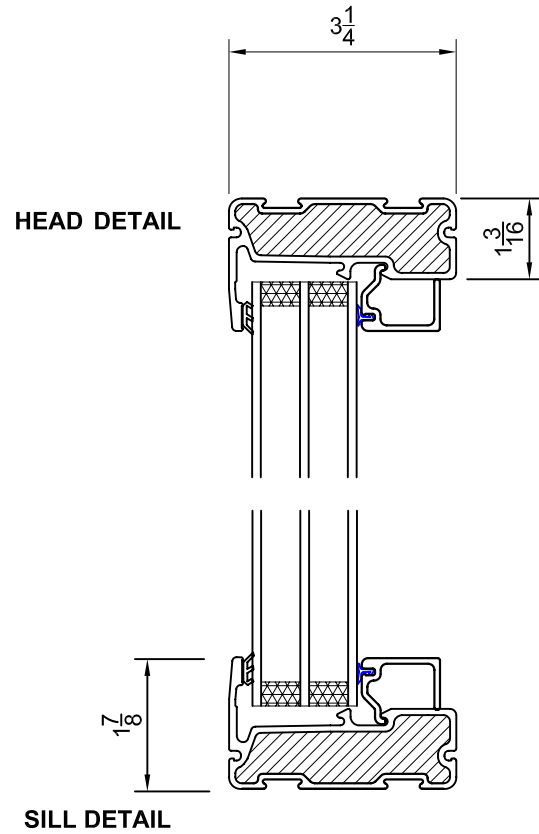
JAMB DETAIL

SECTION B-B



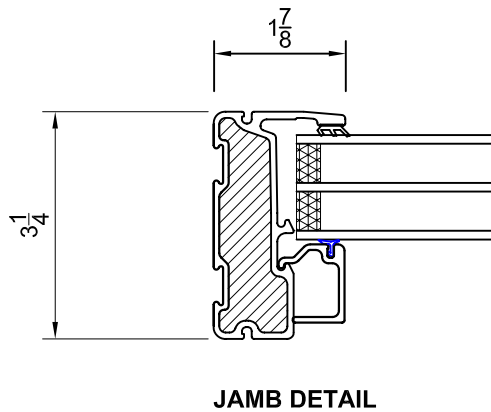
FIXED WINDOW

Exterior View

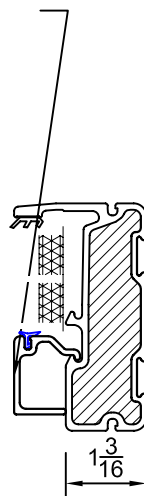


SILL DETAIL

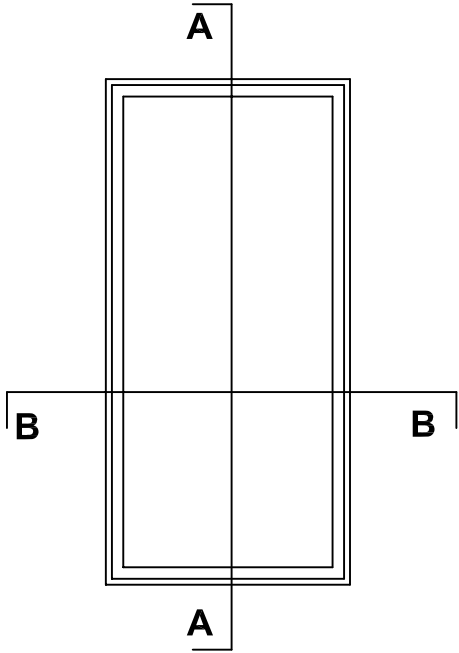
SECTION A-A



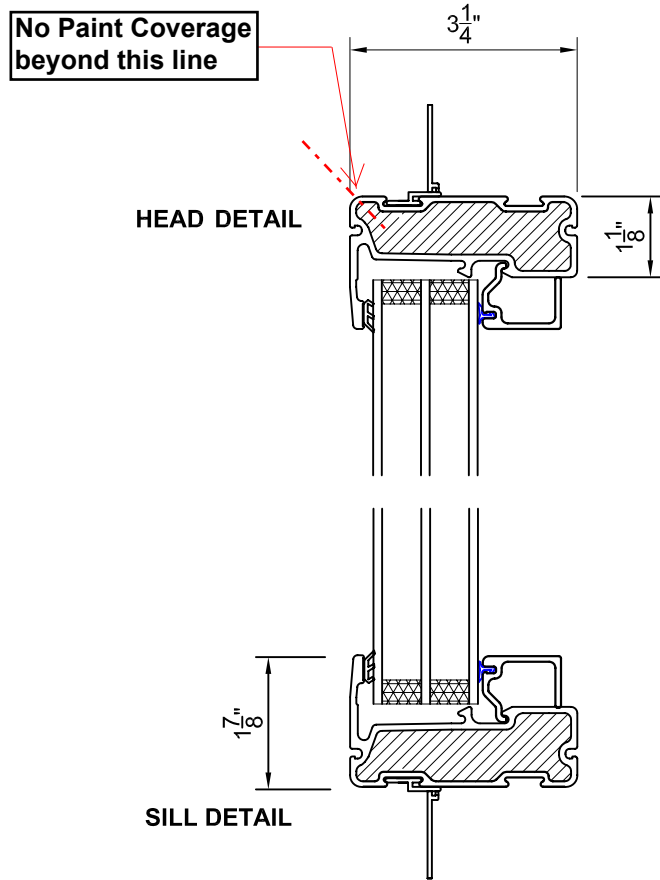
JAMB DETAIL



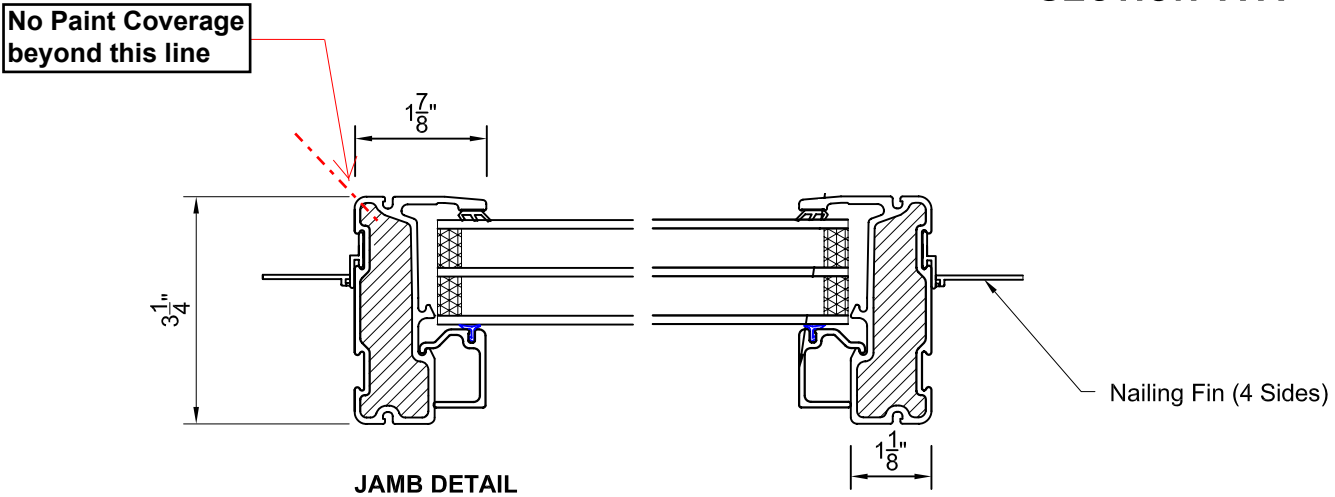
SECTION B-B



FIXED WINDOW
 Front View



SECTION A-A



SECTION B-B