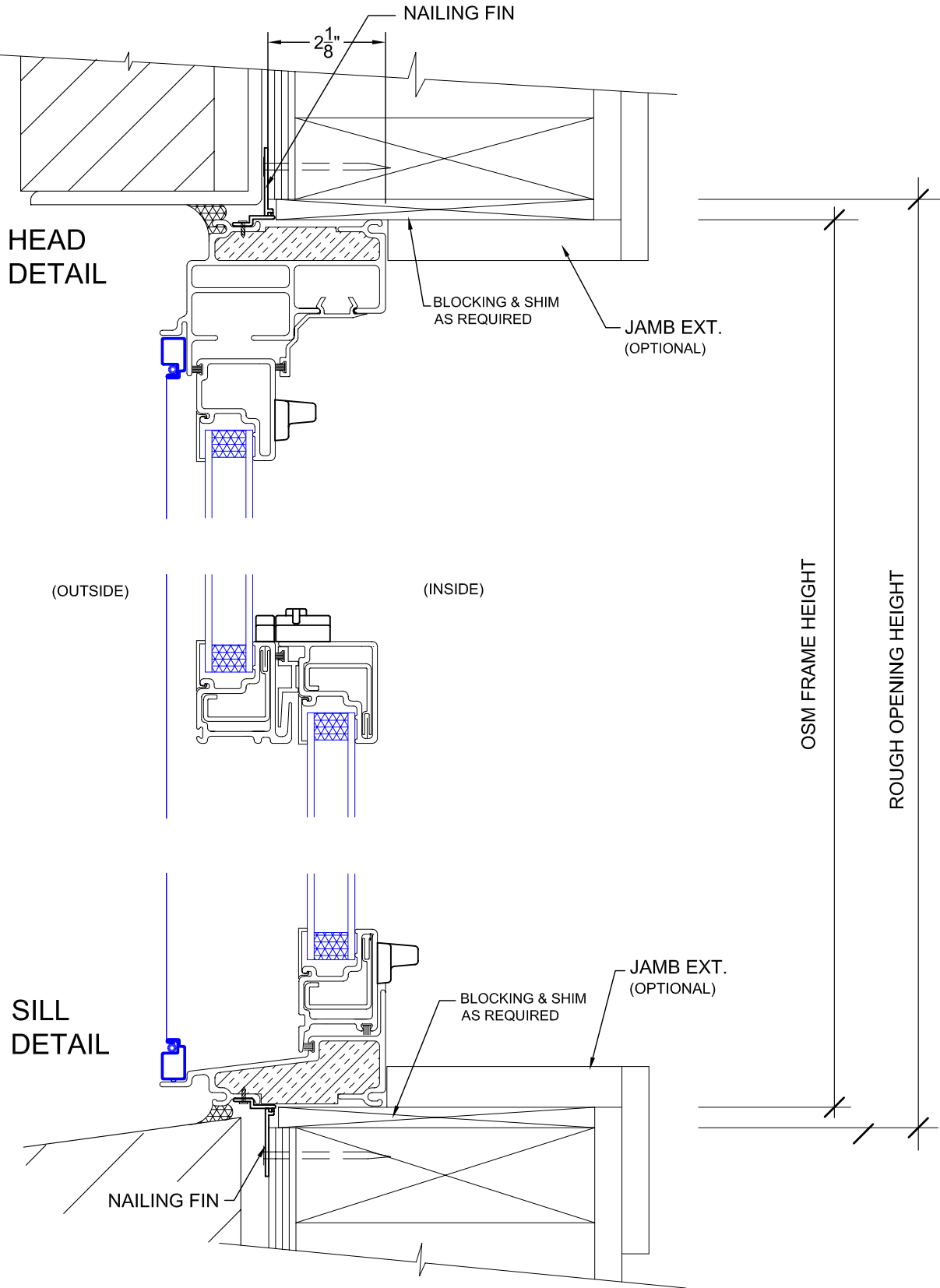


## 500 SERIES

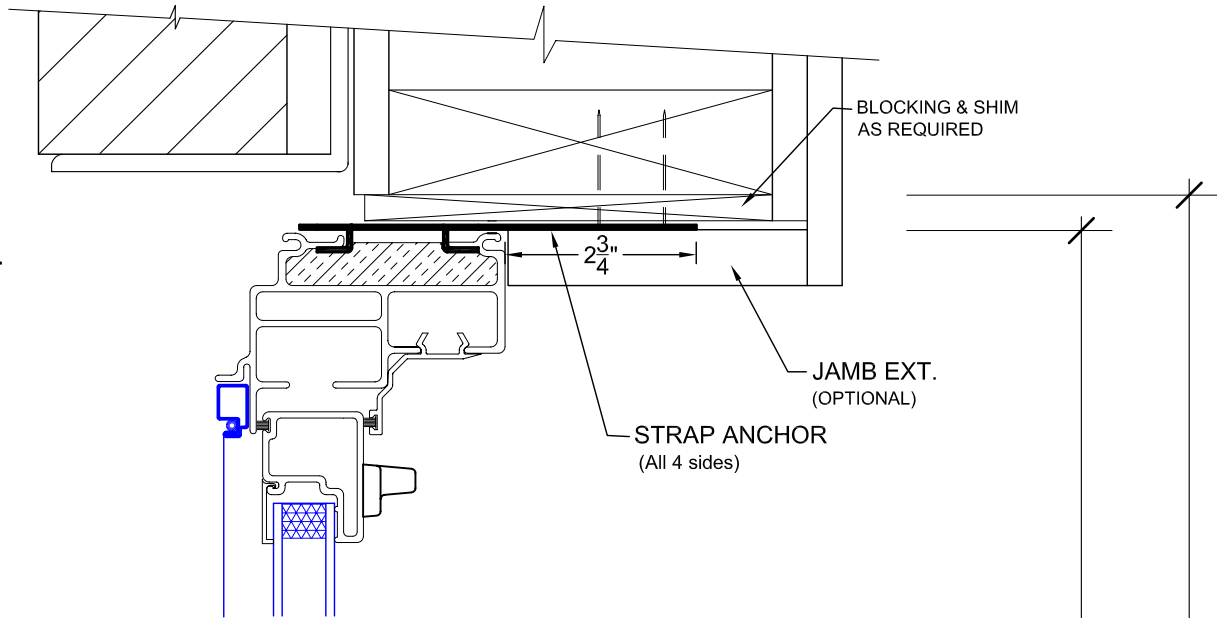
### DOUBLE HUNG TILT WINDOW

#### Nailing Fin Application Detail



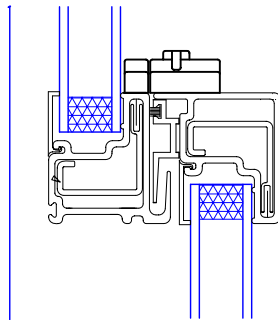
**VERTICAL SECTION  
500 SERIES DHT**

HEAD  
 DETAIL



(OUTSIDE)

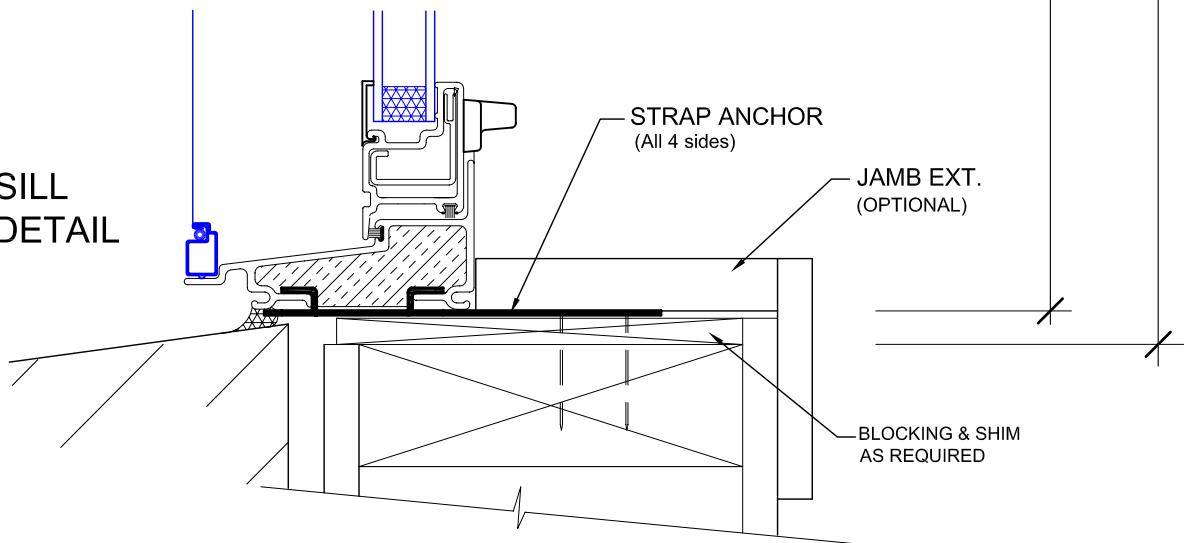
(INSIDE)



OSM FRAME HEIGHT

ROUGH OPENING HEIGHT

SILL  
 DETAIL



**VERTICAL SECTION**  
**500 SERIES DHT**