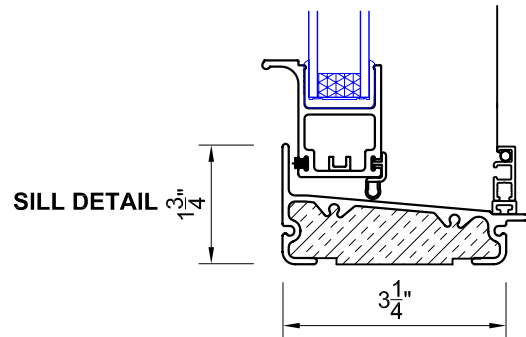
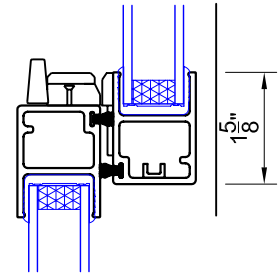
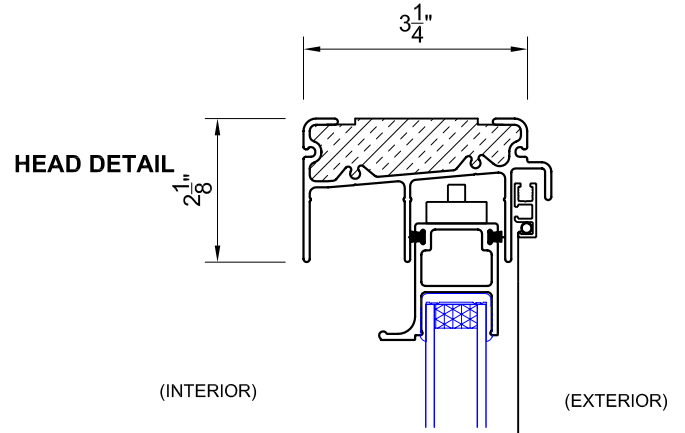
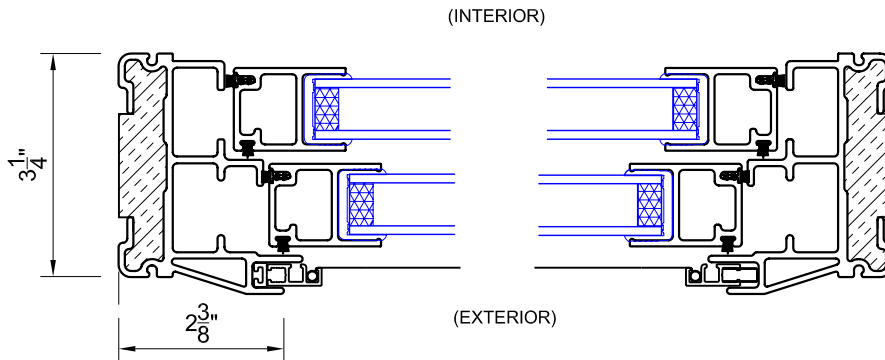


DOUBLE HUNG TILT

Exterior View



SECTION A-A



JAMB DETAIL

SECTION B-B