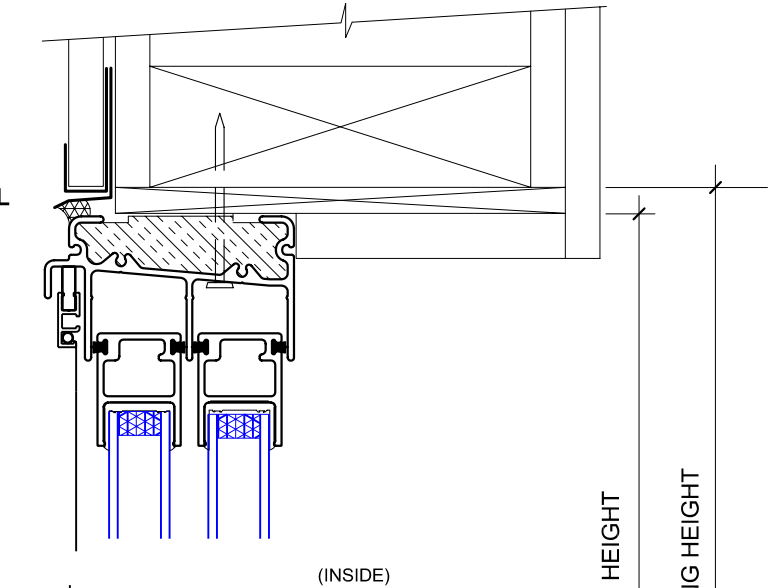


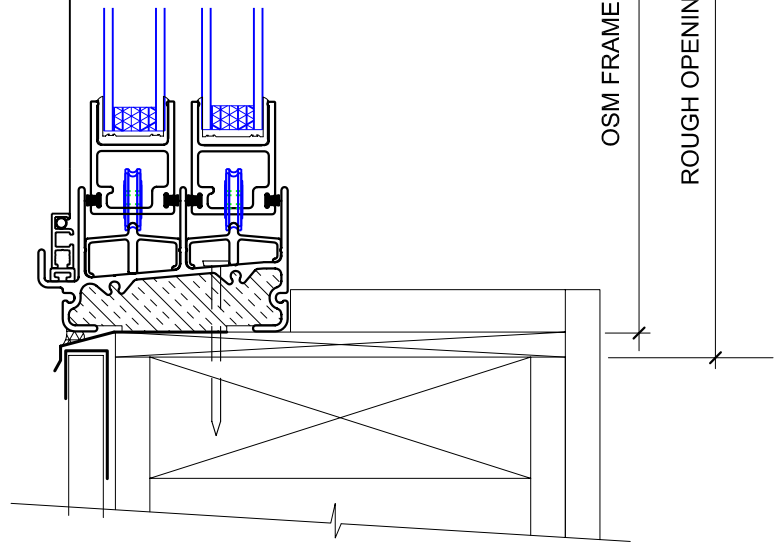
SLIDER

Exterior View

HEAD DETAIL

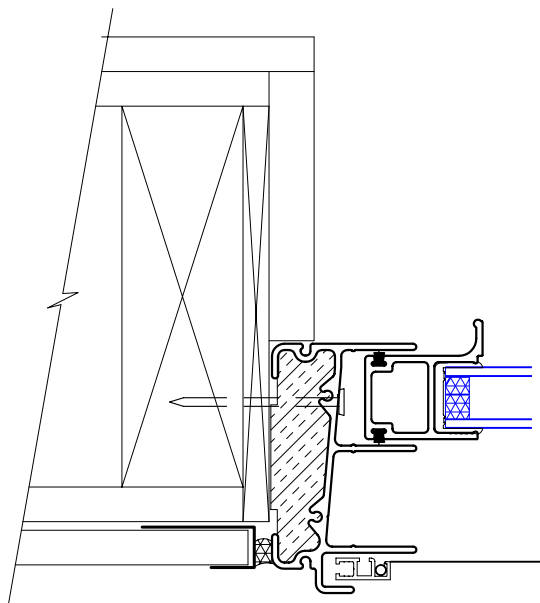
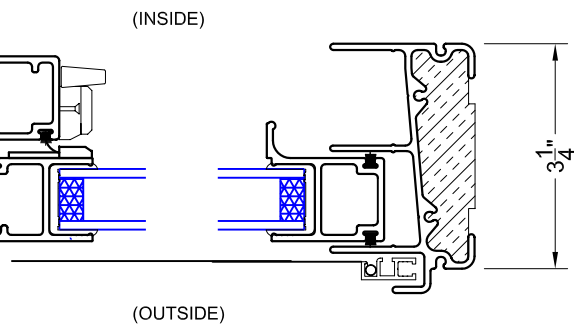


SILL DETAIL



SLIDER - VERTICAL

SECTION A-A



JAMB DETAIL

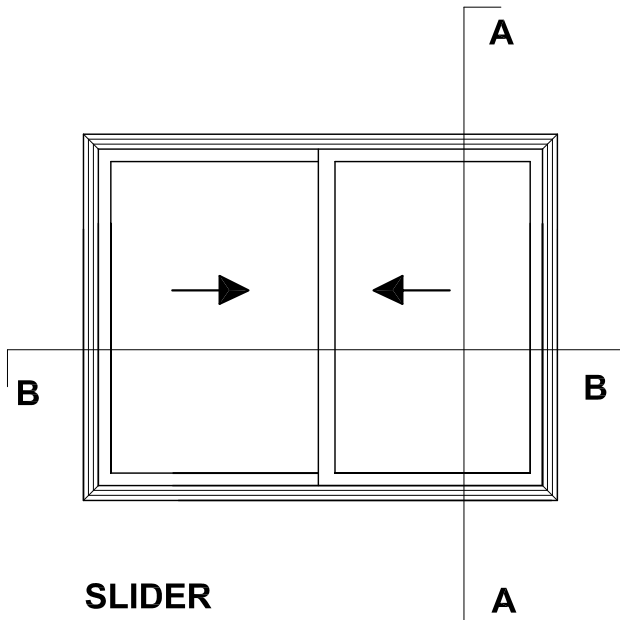
SLIDER - HORIZONTAL

SECTION B-B

400 SERIES

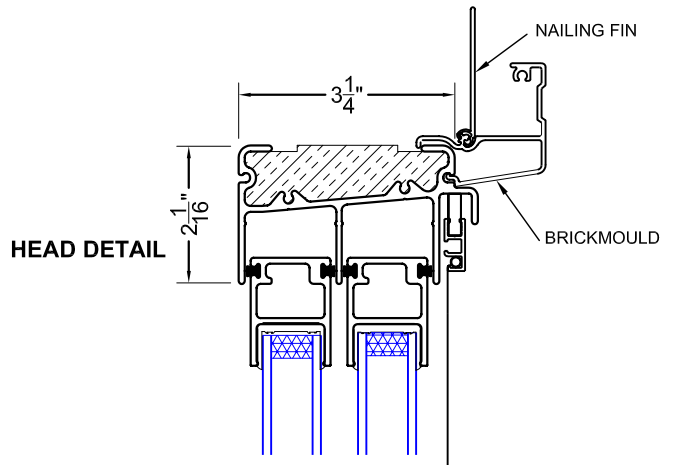
SIDE SLIDER WINDOW

Brickmould with Nailing Fin Application Detail



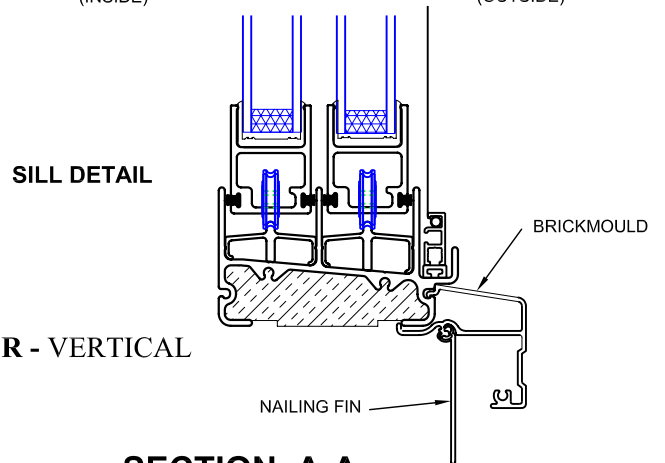
SLIDER

Exterior View



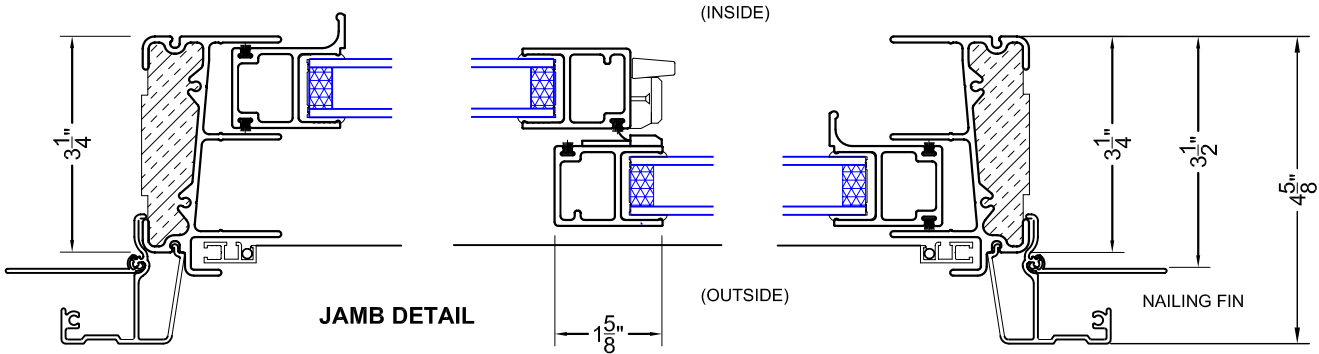
(INSIDE)

(OUTSIDE)



SLIDER - VERTICAL

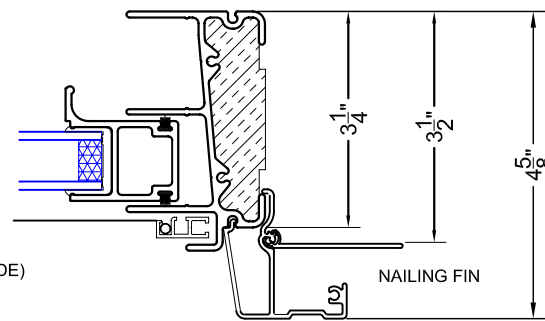
SECTION A-A



SLIDER - HORIZONTAL

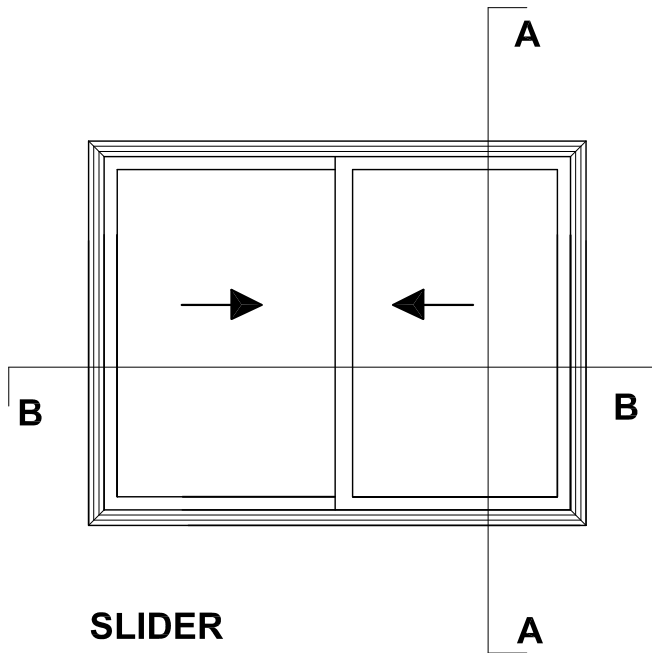
(INSIDE)

(OUTSIDE)



BRICKMOULD

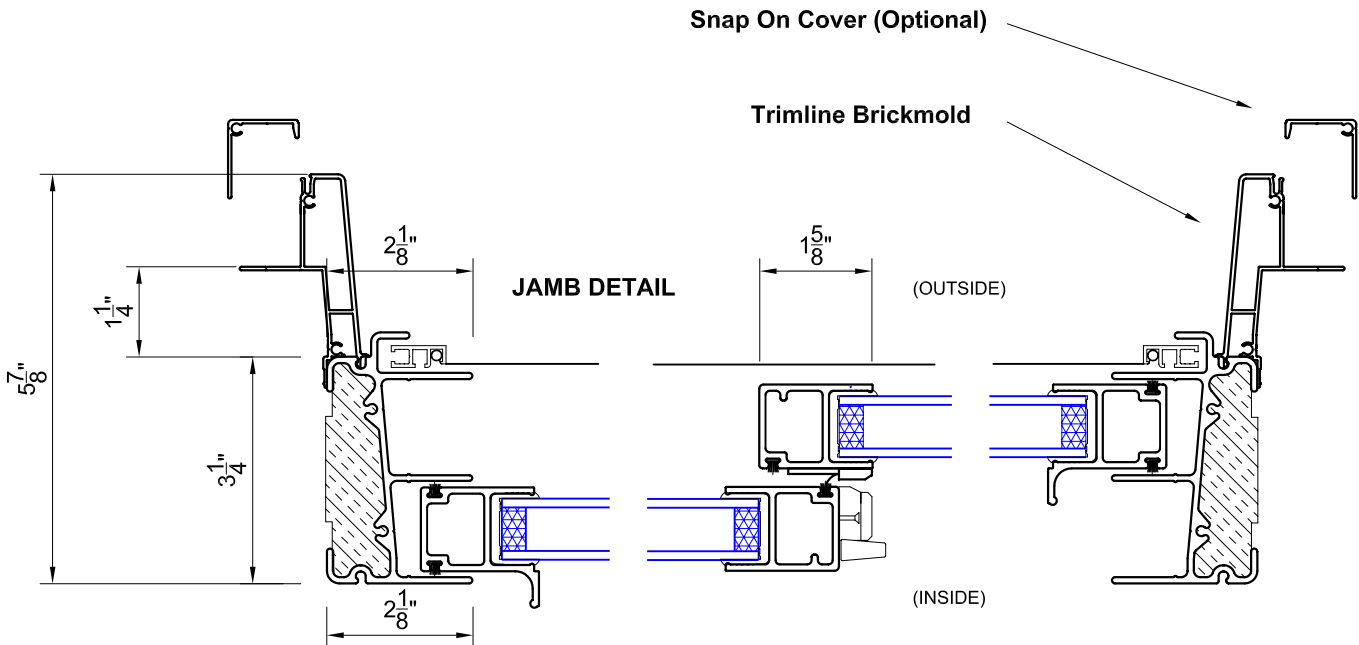
SECTION B-B



SLIDER

Exterior View

**NOTE THAT:
THE TRIM LINE BRICKMOLD IS APPLIED
ON ALL FOUR SIDES OF THE WINDOW(S)**



SLIDER - HORIZONTAL

SECTION B-B