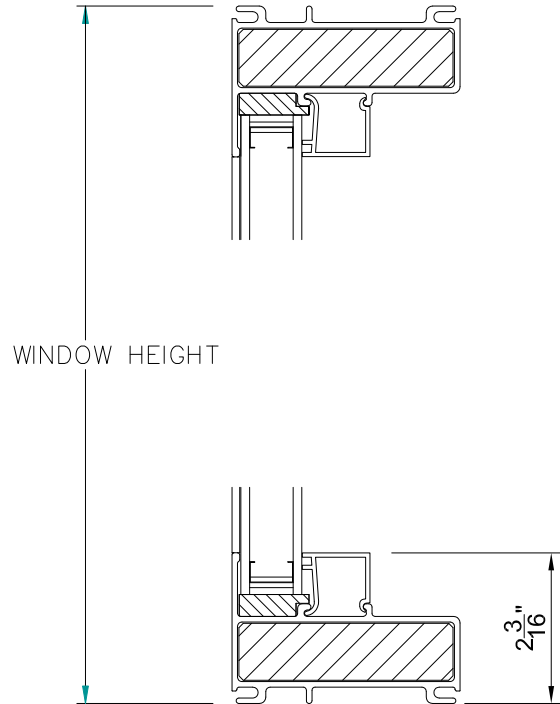
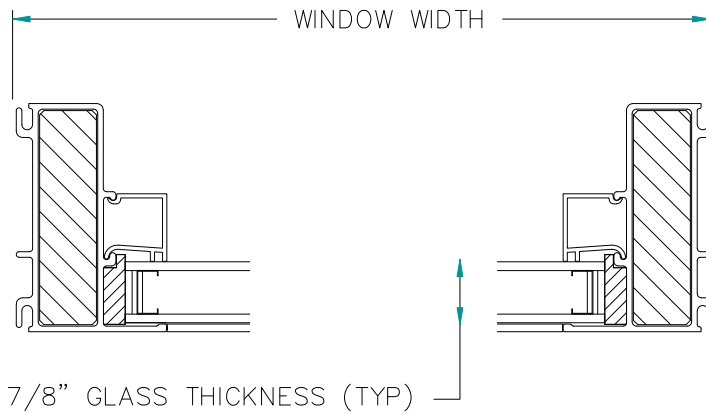


500 SERIES FIXED
Exterior View



SECTION A-A



SECTION B-B