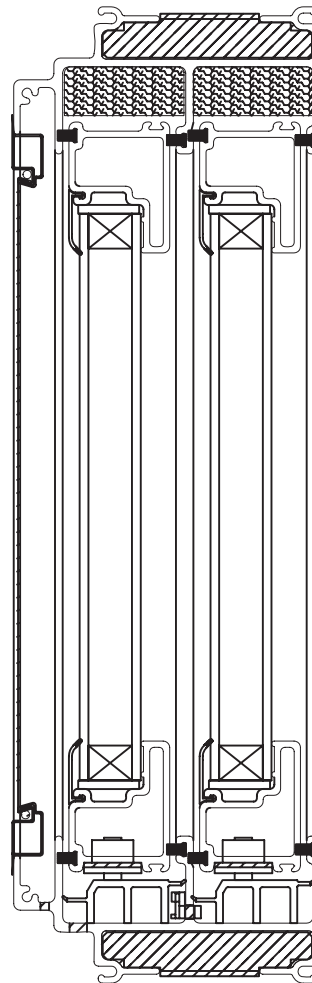
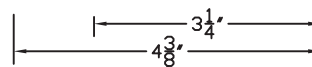


SLIDER

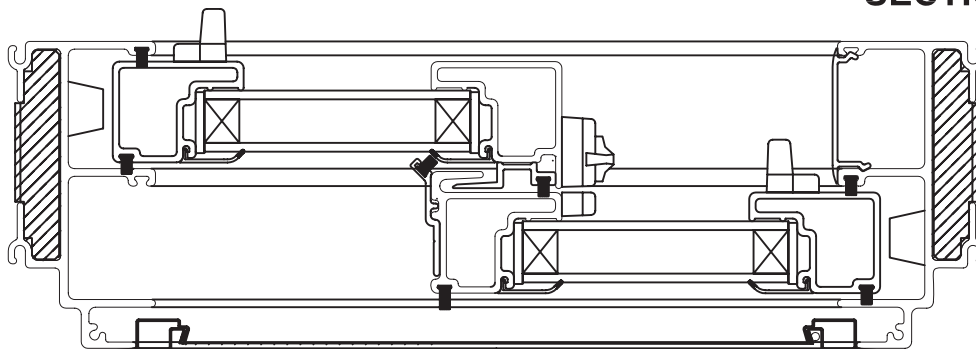
Exterior View



VERTICAL SECTION SHOWN

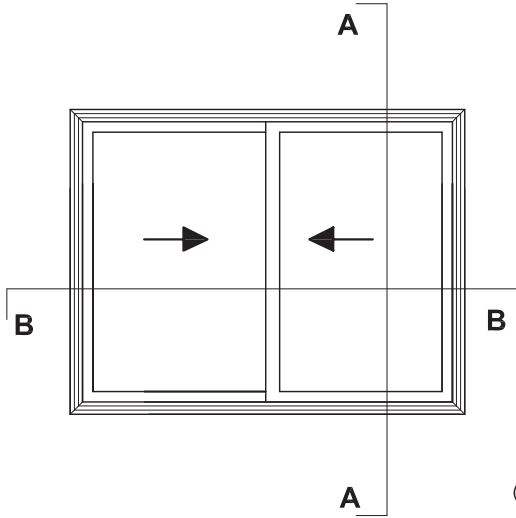


SECTION A-A



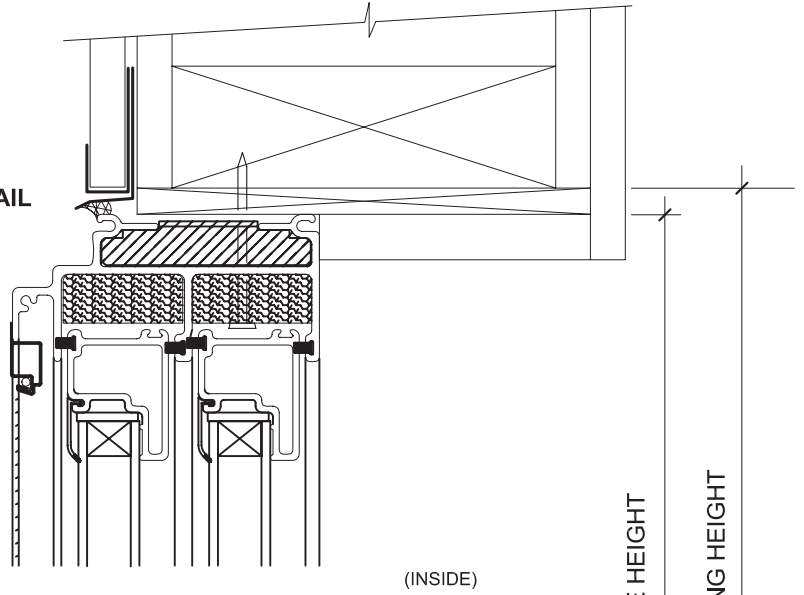
SECTION B-B

(EXTERIOR)



SLIDER
Exterior View

HEAD DETAIL



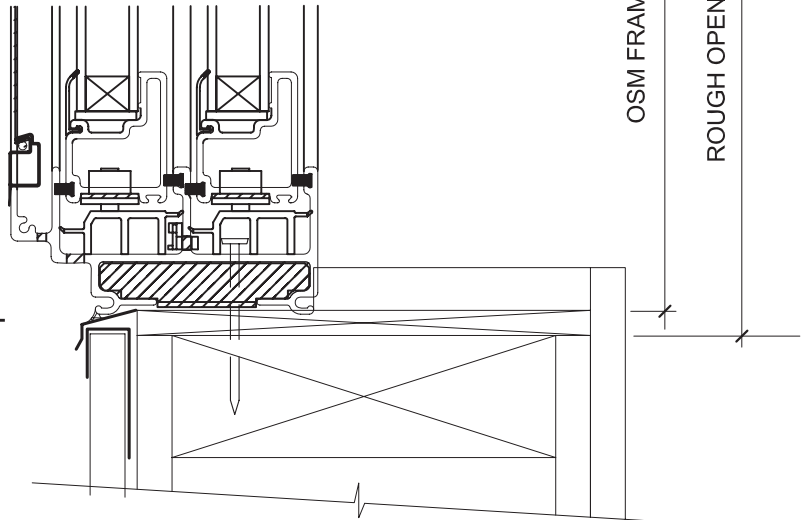
(OUTSIDE)

(INSIDE)

OSM FRAME HEIGHT

ROUGH OPENING HEIGHT

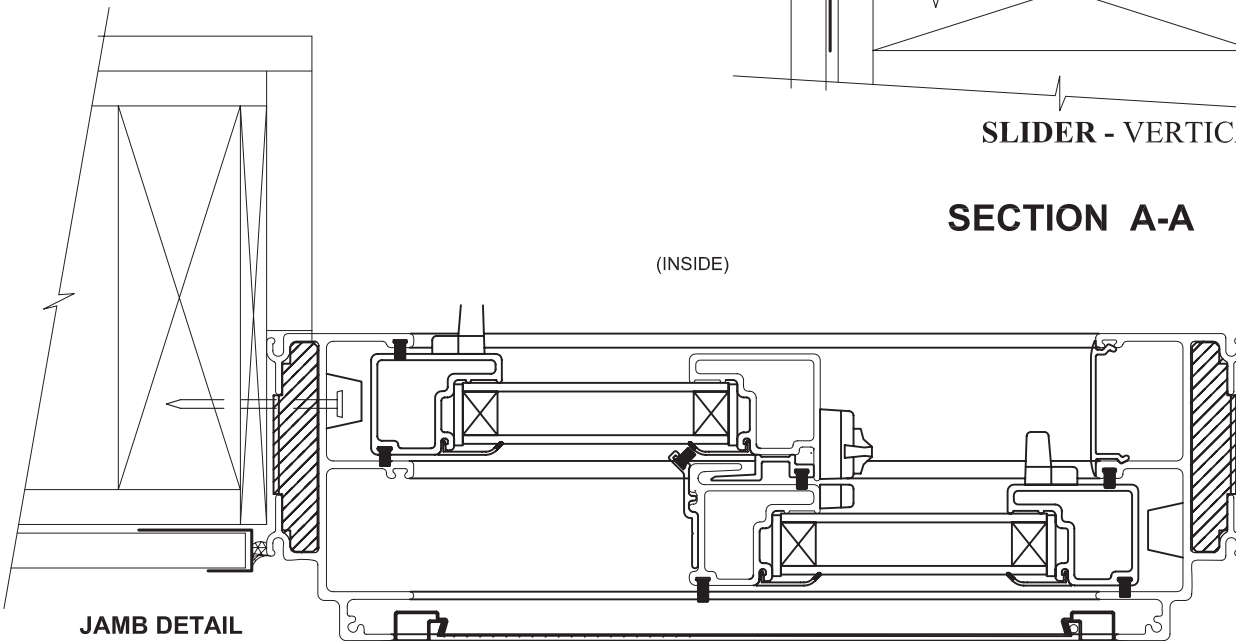
SILL DETAIL



SLIDER - VERTICAL

SECTION A-A

(INSIDE)



JAMB DETAIL

SLIDER - HORIZONTAL

(OUTSIDE)

SECTION B-B